

INSTRUCTION MANUAL
MANUEL D'INSTRUCTION
MANUAL DE INSTRUCCIONES



Cordless Lawn Mower Tondeuse Sans Fil Cortadora de Césped

DLM380



IMPORTANT: Read Before Using.

IMPORTANT : Lire avant usage.

IMPORTANTE: Lea antes de usar.

SPECIFICATIONS

Model		DLM380	
Mowing width		380 mm (15")	
No load speed (RPM)		3,700 /min	
Dimensions (L x W x H)	during operation	1,361 mm x 465 mm x 1,023 mm - 1,070 mm (53-1/2" x 18-1/4" x 40-1/4" - 42")	
	when stored	680 mm x 470 mm x 505 mm (26-3/4" - 18-1/2" x 19-7/8")	
Rated voltage		D.C. 36 V	
Standard battery cartridge(s) ⚠Warning: Use only the battery cartridge(s) described.		BL1815N / BL1820B	BL1830 / BL1830B / BL1840B / BL1850B / BL1860B
Net weight		14.5 kg (32.0 lbs)	15.0 kg (33.1 lbs)

- Due to our continuing program of research and development, the specifications herein are subject to change without notice.
- Specifications and battery cartridge may differ from country to country.
- Weight, with battery cartridge, according to EPTA-Procedure 01/2003

IMPORTANT SAFETY INSTRUCTIONS

⚠WARNING! When using electric lawn mowers, basic safety precautions should always be followed to reduce the risk of fire, electric shock, and personal injury, including the following.

Read All Instructions

Read, understand, and follow all instructions on the mower and in the instruction manuals. Be thoroughly familiar with the controls and the proper use of the mower before starting.

⚠WARNING!

- Avoid Dangerous Environment** - Never operate the mower in damp or wet locations. Always be sure of your footing: keep a firm hold on the handle and walk; never run.
- Don't Use In Rain.**
- Keep Children Away** - All visitors should be kept a safe distance from work area. Be alert and turn mower off if a child enters the area. Use extra care when approaching blind corners, shrubs, trees, or other objects that may block your view of a child.
- Dress Properly** - Do not wear loose clothing or jewelry. They can be caught in moving parts. Use of rubber gloves and substantial footwear is recommended when working outdoors. Do not operate the mower when barefoot or wearing open sandals.
- Use Safety Glasses**- Always use face or dust mask if operation is dusty.
- Use Right Appliance** - Do not use lawn mower for any job except that for which it is intended.
- Don't Force Lawn Mower** - It will do the job better and safer at the rate for which it was designed.
- Don't Overreach** - Keep proper footing and balance at all times. Do not mow near drop offs, ditches, or embankments. You could lose your footing or balance.
- Stay Alert** - Watch what you are doing. Use common sense. Do not operate lawn mower when you are tired. Do not operate machine while under the influence of alcohol or drugs. A moment of inattention while operating the mower may result in serious personal injury.
- Disconnect Lawn Mower** - Disconnect the lawn mower from the power supply or remove the battery when not in use, before servicing, cleaning, removing material from the lawn mower, or changing accessories such as blades, and the like.
- Store Idle Lawn Mower Indoors** - When not in use, lawn mower should be stored in an indoor dry and locked-up place - out of reach of children.
- Maintain Lawn Mower With Care** - Keep cutting edges sharp and clean for best and safest performance. Follow instructions for lubricating and changing accessories.
Inspect lawn mower cord periodically and if damaged, have it repaired by an authorized service facility. Keep handles dry, clean, and free from oil and grease.
- Keep machine free of grass, leaves, or other debris build up. Keep guards in place and in working order.
- Keep blades sharp.
- Keep hands and feet away from cutting area. Keep clear of the discharge opening at all times.
- Objects struck by the lawn mower blade can cause severe injuries to persons. The lawn should always be carefully examined and cleared of all objects prior to each mowing. Stay behind the handle when the engine (motor) is running.
- If the mower strikes a foreign object, follow these steps:
 - Stop the mower. Release the switch. Wait until the blade comes to a complete stop.
 - Remove the key and the battery cartridge.
 - Inspect the mower for any damage.
 - Repair any damage before restarting and operating the mower. Replace the blade if it is damaged in any way.

- **Recharge only with the charger specified by the manufacturer.** A charger that is suitable for one type of battery cartridge may create a risk of fire when used with another battery cartridge.
 - **Do not charge lawn mower in rain, or in wet locations.**
 - **When replacing batteries, all batteries should be replaced at the same time.** Mixing fresh and discharged batteries could increase internal cell pressure and rupture the discharged battery.
 - **Use power tools only with specifically designated battery cartridges.** Use of any other battery cartridges may create a risk of injury and fire.
 - **When battery cartridge is not in use, keep it away from other metal objects, like paper clips, coins, keys, nails, screws or other small metal objects, that can make a connection from one terminal to another.** Shorting the battery terminals together may cause burns or a fire.
 - **Under abusive conditions, liquid may be ejected from the battery; avoid contact. If contact accidentally occurs, flush with water. If liquid contacts eyes, additionally seek medical help.** Liquid ejected from the battery may cause irritation or burns.
18. Use identical replacement blades only.
 19. This cutting machine is capable of amputating hands and feet and throwing objects. Failure to observe the following safety instructions could result in serious injury or death.
 20. Only allow responsible adults, who are familiar with the instruction, to operate the mower.
 21. Be sure the area is clear of other people before mowing. Stop mower if anyone enters the area.
 22. Never direct discharged material toward anyone. Avoid discharging material against a wall or obstruction. Material may ricochet back toward the operator. Stop the blade when crossing gravel surfaces.
 23. Do not pull the mower backwards unless absolutely necessary. When you are compelled to back the mower from a fence or other similar obstruction, look down and behind before and while moving backwards.
 24. Release switch lever and wait for blade rotation to stop before crossing driveways, walks, roads and any gravel-covered areas. Also remove key if you leave it, reach to pick up or remove something out of your way, or for any other reason that may distract you from what you are doing.
 25. Do not operate machine without the entire grass catcher, discharge guard, rear guard, or other safety protective devices in place and working.
 26. Stop the motor and remove the key whenever you leave the equipment, before cleaning the mower or unclogging the chute and making any repairs or inspections.
 27. Shut the motor off and wait until the blade comes to a complete stop before removing the grass catcher. Beware that the blades coast after turn off.
 28. Mow only in daylight or good artificial light.
 29. Disengage the self-propelled mechanism or drive clutch on the mower so equipped before starting the motor.
 30. If the equipment should start to vibrate unusually, stop the motor and check immediately for the cause. Vibration is generally a warning of trouble.
 31. Do not insert key into mower until it is ready to be used.
 32. Don't grasp the exposed cutting blades or cutting edges when picking up or holding the appliance.
 33. Check the blades carefully for cracks or damage before operation. Replace cracked or damaged blades immediately.
 34. Never attempt to make wheel height adjustments while mower is running.
 35. Check the grass basket frequently for wear or deterioration. For storage, always make sure the grass basket is empty. Replace a worn grass basket with a new factory replacement one for safety.
 36. Check grass basket components and the discharge guard frequently and replace with manufacturer's recommended parts, when necessary.
 37. Mow across the face of slopes, never up and down. Exercise extreme caution when changing direction on slopes. Do not mow excessively steep slopes.
 38. Watch for holes, ruts, bumps, rocks, or other hidden objects. Uneven terrain could cause a slip and fall accident. Tall grass can hide obstacles.
 39. Do not mow on wet grass or excessively steep slopes. Poor footing could cause a slip and fall accident.
 40. Do not wash with a hose; avoid getting water in motor and electrical connections.
 41. Check the blade mounting bolt at frequent intervals for proper tightness.
 42. Keep all nuts, bolts, and screws tight to be sure the equipment is in safe working condition.
 43. Never remove or tamper with safety devices. Check their proper operation regularly. Never do anything to interfere with the intended function of a safety device or to reduce the protection provided by a safety device.
 44. Maintain or replace safety and instruction labels, as necessary.
 45. **Battery tool use and care**

SAVE THESE INSTRUCTIONS.



⚠ WARNING: Use of this product can create dust containing chemicals which may cause respiratory or other illnesses.

Some examples of these chemicals are compounds found in pesticides, insecticides, fertilizers and herbicides.

Your risk from these exposures varies, depending on how often you do this type of work. To reduce your exposure to these chemicals: work in a well ventilated area, and work with approved safety equipment, such as those dust masks that are specially designed to filter out microscopic particles.

Symbols

The followings show the symbols used for tool.

V	volts
 	direct current
n_0	no load speed
... /min r /min	revolutions or reciprocation per minute

Important safety instructions for battery cartridge

1. Before using battery cartridge, read all instructions and cautionary markings on (1) battery charger, (2) battery, and (3) product using battery.
2. Do not disassemble battery cartridge.
3. If operating time has become excessively shorter, stop operating immediately. It may result in a risk of overheating, possible burns and even an explosion.
4. If electrolyte gets into your eyes, rinse them out with clear water and seek medical attention right away. It may result in loss of your eyesight.
5. Do not short the battery cartridge:
 - (1) Do not touch the terminals with any conductive material.
 - (2) Avoid storing battery cartridge in a container with other metal objects such as nails, coins, etc.
 - (3) Do not expose battery cartridge to water or rain.
6. Do not store the tool and battery cartridge in locations where the temperature may reach or exceed 50 °C (122 °F).
7. Do not incinerate the battery cartridge even if it is severely damaged or is completely worn out. The battery cartridge can explode in a fire.
8. Be careful not to drop or strike battery.
9. Do not use a damaged battery.
10. The contained lithium-ion batteries are subject to the Dangerous Goods Legislation requirements.

For commercial transports e.g. by third parties, forwarding agents, special requirement on packaging and labeling must be observed.

For preparation of the item being shipped, consulting an expert for hazardous material is required.

Please also observe possibly more detailed national regulations.

Tape or mask off open contacts and pack up the battery in such a manner that it cannot move around in the packaging.

11. Follow your local regulations relating to disposal of battery.
12. Use the batteries only with the products specified by Makita. Installing the batteries to non-compliant products may result in a fire, excessive heat, explosion, or leak of electrolyte.

SAVE THESE INSTRUCTIONS.

CAUTION: Only use genuine Makita batteries. Use of non-genuine Makita batteries, or batteries that have been altered, may result in the battery bursting causing fires, personal injury and damage. It will also void the Makita warranty for the Makita tool and charger.

Tips for maintaining maximum battery life

1. Charge the battery cartridge before completely discharged. Always stop tool operation and charge the battery cartridge when you notice less tool power.
2. Never recharge a fully charged battery cartridge. Overcharging shortens the battery service life.
3. Charge the battery cartridge with room temperature at 10 °C - 40 °C (50 °F - 104 °F). Let a hot battery cartridge cool down before charging it.
4. Charge the battery cartridge if you do not use it for a long period (more than six months).

FUNCTIONAL DESCRIPTION

Installing or removing battery cartridge

⚠ CAUTION:

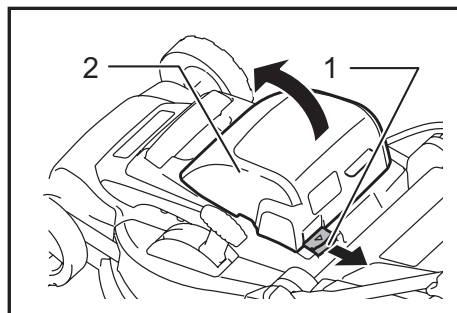
- Always switch off the tool before installing or removing the battery cartridge.
- Make sure that you lock the battery cover before use. Otherwise, mud, dirt, or water may cause damage to the product or the battery cartridge.
- Always install the battery cartridge fully until the red indicator cannot be seen. If not, it may accidentally fall out of the tool, causing injury to you or someone around you.
- Do not install the battery cartridge forcibly. If the cartridge does not slide in easily, it is not being inserted correctly.

NOTE:

- The tool does not work with only one battery cartridge.

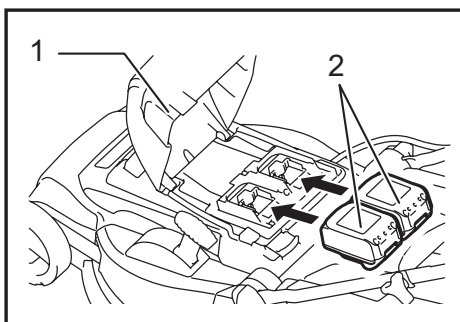
To install the battery cartridge;

1. Pull the battery cover locking lever toward yourself and open the battery cover.



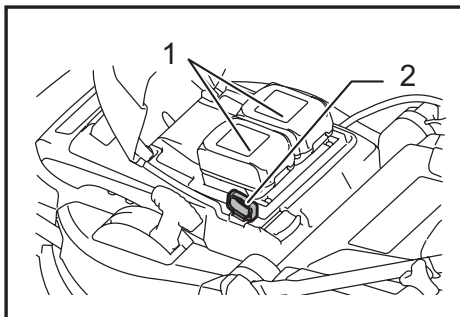
- 1. Battery cover locking lever 2. Battery cover

2. To install the battery cartridge, align the tongue on the battery cartridge with the groove in the housing and slip it into place. Insert it all the way until it locks in place with a little click. If you can see the red indicator on the upper side of the button, it is not locked completely.



- 1. Battery cover 2. Battery cartridge

3. Insert the lock key in the place shown in the figure as far as it will go.



- 1. Battery cartridge 2. Lock key

4. Close the battery cover and push it on until it is latched with the locking lever.

To remove the battery cartridge from the mower;

1. Pull the battery cover locking lever toward yourself and open the battery cover.
2. Slide it from the tool while sliding the button on the front of the cartridge.
3. Pull out the lock key.
4. Close the battery cover.

Battery protection system

The tool is equipped with a tool/battery protection system. This system automatically cuts off power to the motor to extend tool and battery life.

The tool will automatically stop during operation if the tool or battery is placed under one of the following conditions. In some conditions, the indicators light up.

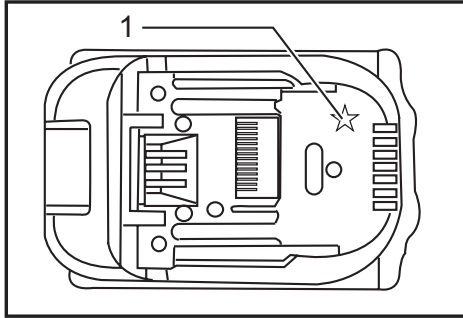
Overload protection

When the tool is operated in a manner that causes it to draw an abnormally high current, the tool automatically stops without any indication. In this situation, turn the tool off and stop the application that caused the tool to become overloaded. Then turn the tool on to restart.

Overheat protection

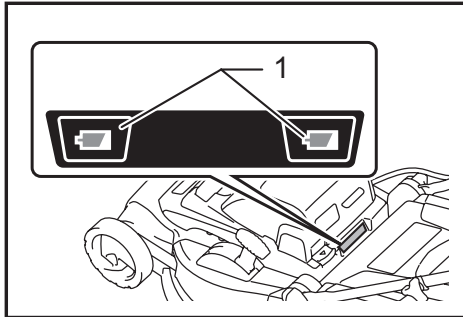
When the tool or battery is overheated, the tool stops automatically without any indications. The tool does not start even if turning on the tool. In this situation, let the tool or battery cool before turning the tool on again.

NOTE: The battery overheat protection works only with a battery cartridge with a star marking. The tool overheat protection system works with any battery cartridges.



► 1. Star marking

Overdischarge protection

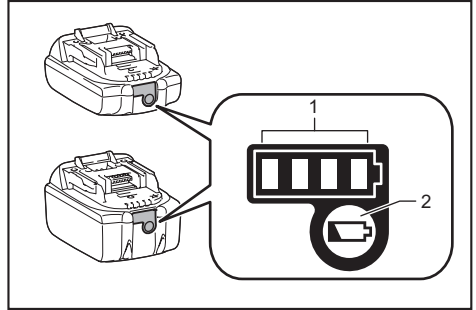


► 1. Battery indicator

When the remaining battery capacity gets low, the battery indicator blinks on the applicable battery side. By further use, the tool stops and the battery indicator lights up about 10 seconds. In this situation, charge the battery cartridge.

Indicating the remaining battery capacity

Only for battery cartridges with the indicator



► 1. Indicator lamps 2. Check button

Press the check button on the battery cartridge to indicate the remaining battery capacity. The indicator lamps light up for a few seconds.

Indicator lamps			Remaining capacity
Lighted	Off	Blinking	
■ ■ ■ ■			75% to 100%
■ ■ ■ □			50% to 75%
■ ■ □ □			25% to 50%
■ □ □ □			0% to 25%
▣ □ □ □			Charge the battery.
■ ■ □ □			The battery may have malfunctioned.
□ □ ■ ■			

NOTE: Depending on the conditions of use and the ambient temperature, the indication may differ slightly from the actual capacity.

Power switch action

⚠ WARNING:

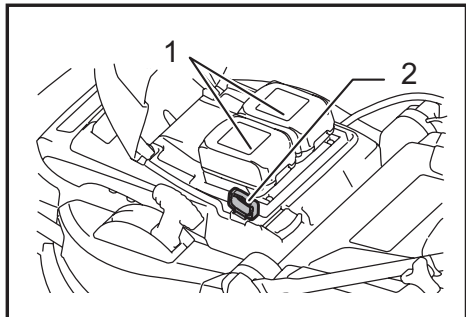
- Before installing the battery cartridge in the tool, always check to see that the switch lever actuates properly and returns to the original position when released. Operating a tool with a switch that does not actuate properly can lead to loss of control and serious personal injury.

NOTE:

- Trying to mow much grass at a time may not allow the motor to start due to the overload. At this time, change the mowing height to higher level to restart.
- The mower does not start without pressing the switch button even if the switch lever is pulled.

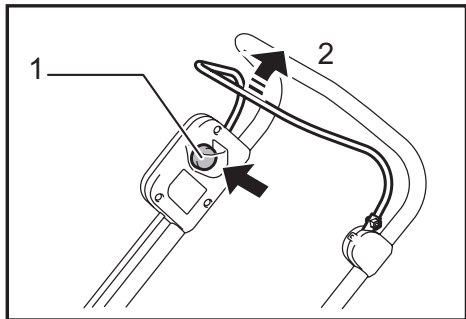
This mower is equipped with the interlock switch and handle switch. If you notice anything unusual with either of these switches, stop operation immediately and have them checked by your nearest Makita Authorized or Factory Service Center.

1. Install the battery cartridges. Insert the lock key into the interlock switch and then close the battery cover.



► 1. Battery cartridge 2. Lock key

2. Press the switch button.
3. Pull the switch lever toward you while pressing the switch button.

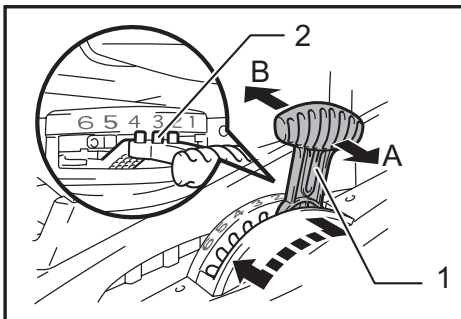


► 1. Switch button 2. Switch lever

4. Release the switch button as soon as the motor starts running. The mower will continue to run until you release the switch lever.
5. Release the switch lever to stop the motor.
6. When not in use, remove the lock key. Store the lock key in a safe place out of reach of children.

Adjusting the mowing height**⚠WARNING:**

- Never put your hand or leg under the mower unit when adjusting the mowing height.
- Always make sure that the lever fits in the groove properly before operation.



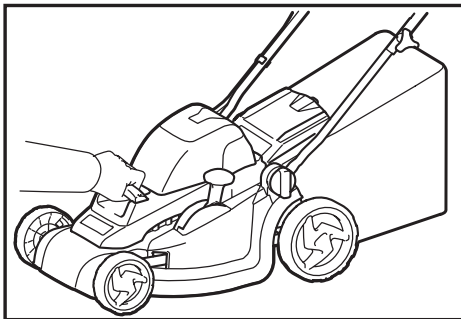
► 1. Mowing height adjusting lever 2. Pins

The mowing height can be adjusted in the range of between 25 mm - 75 mm (1.0" - 3.0").

1. Remove the lock key.
2. Pull the mowing height adjusting lever toward A side. Move it to your desired mowing height level. Make sure that the pins on the mowing height adjusting lever fit in the holes and the lever returns to B side.

NOTE:

- The mowing height figures should be used just as a guideline, as the state of the lawn or ground may cause lawn height to be slightly different to the set height figure.
- Try a test mowing of grass in a less conspicuous place to get your desired height.
- It is easier to move the mowing height adjusting lever with holding the tool firmly.



ASSEMBLY

⚠ WARNING:

- Always be sure that the lock key and battery cartridge are removed before carrying out any work on the mower. Failure to remove the lock key and the battery cartridge may result in serious personal injury from accidental start-up.
- Never start the tool unless it is completely assembled. Operation of the tool in a partially assembled state may result in serious personal injury from accidental start-up.

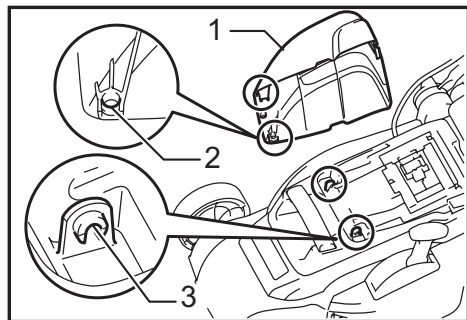
Installing the battery cover

⚠ WARNING:

- Do not insert the lock key and battery cartridge before installing the battery cover. Failure to do so may cause a serious injury.

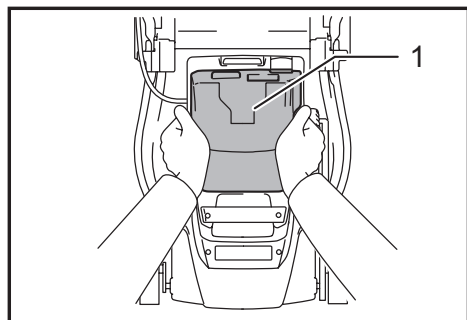
Install the battery cover completely before operating the tool to protect the tool and battery cartridge from mud, dirt, or water.

1. Place the battery cover on the tool with aligning the protrusions on the tool and the holes of the battery cover.



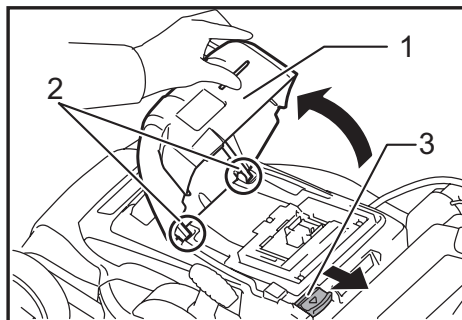
- 1. Battery cover 2. Hole 3. Protrusion

2. Place your hands in the middle of the battery cover and depress it.



- 1. Battery cover

3. Before the first operation, check that the pivot point of the battery cover is assembled properly. To check it, pull the battery cover locking lever toward yourself and open the battery cover.



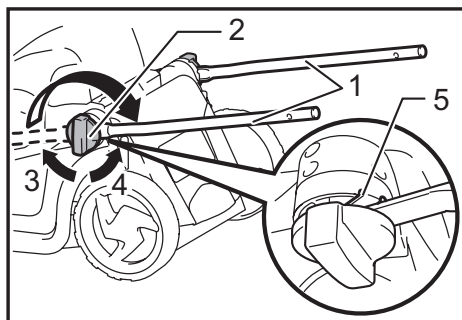
- 1. Battery cover 2. Pivot point 3. Battery cover locking lever

Installing the handle

⚠ WARNING:

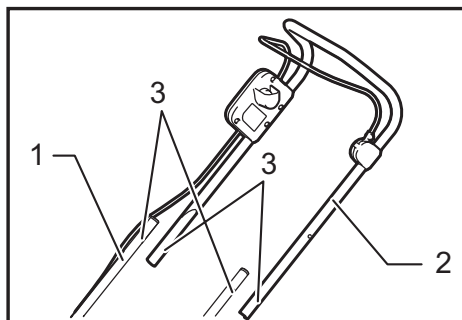
- When installing handles, position the wires so that they are not caught by anything in between the handles.

1. Loosen the clamping screws (two pcs).



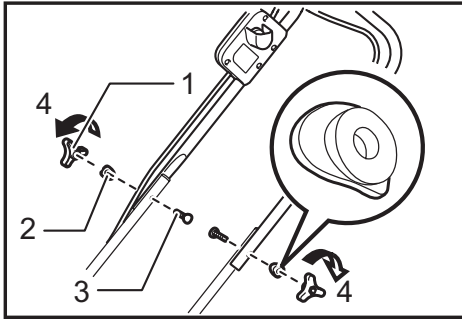
- 1. Lower handle 2. Clamping screw 3. Tighten 4. Loosen 5. Groove

2. Expand the lower handle to its both sides and with it expanded in that position pivot it backward and then fit it in the groove in the deck.



- 1. Lower handle 2. Upper handle 3. Holes

- Tighten the clamping screws on both sides to secure the lower handle.

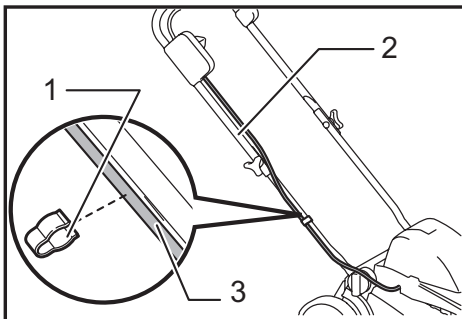


- 1. Clamping nut 2. Curl washer 3. Screw 4. Tighten

- Raise the upper handle and align the screw holes in the upper handle with those in the lower handle. Secure them with the supplied screws, curl washers and clamping nuts.

NOTE:

- At this time, keep a firm grip on the upper handle so that it does not drop off your hand.



- 1. Holder 2. Upper handle 3. Cord

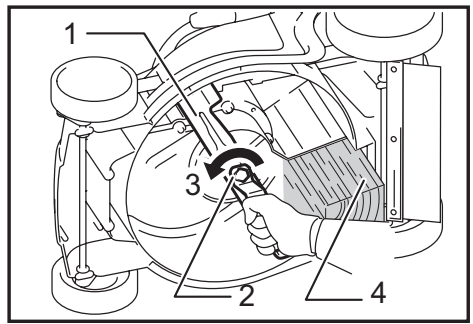
NOTE:

- Install the upper handle so that the direction of the upper handle and the power supply cord are positioned as shown in the figure.

Removing or installing the blade

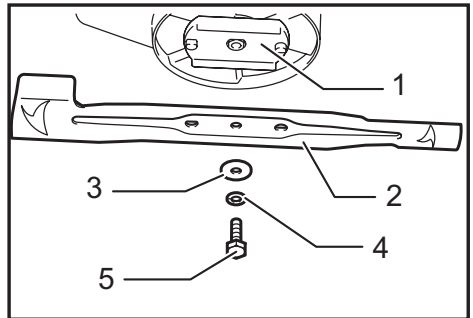
⚠WARNING:

- Always remove the lock key and battery cartridge when removing or installing the blade. Failure to remove the lock key and battery cartridge may cause a serious injury.
- The blade coasts for a few seconds after releasing the switch. Make sure that the blade has come to a complete stop.
- Always wear gloves when handling the blade.



- 1. Blade 2. Box wrench 3. Loosen 4. Lumber

- Put the mower on its side so that the mowing height adjusting lever is placed on the upper side.
- To lock the blade, insert a lumber or similar into the mower.
- Loosen the bolt counterclockwise with the box wrench.



- 1. Blade support 2. Blade 3. Flat washer 4. Spring washer 5. Bolt

- Remove the bolt, spring washer, flat washer, and blade in order.

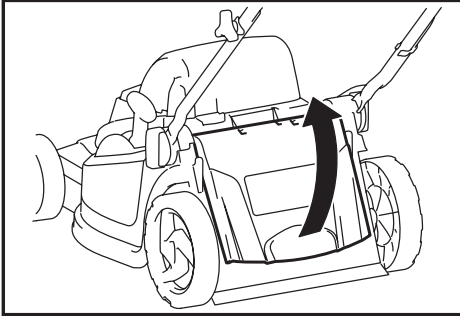
To install the blade, take the blade removal procedure in reverse.

⚠WARNING:

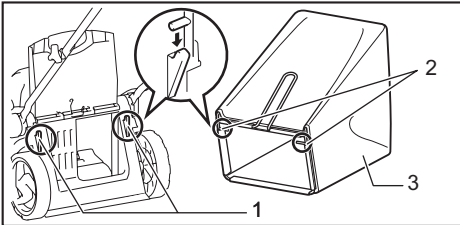
- Install blade carefully as they have a top/bottom facing.
- Tighten the bolt clockwise firmly to secure the blade.
- Put the blade so that the blade side with a rotational direction arrow faces outward.
- Make sure that the blade is installed securely.

Installing the grass basket

Remove the lock key.



Raise the rear guard of the mower unit.



► 1. Groove 2. Hook 3. Grass basket

Hook the grass basket on the groove of the mower unit.

OPERATION

Mowing

⚠WARNING:

- Before mowing, clear away sticks and stones from mowing area. Furthermore, clear away any weeds from mowing area in advance.
- Always wear the safety goggles or safety glasses with side shields when operating the mower.

Firmly hold the lawn mower handle with both hands when mowing.

The width between the middle of the front wheels shows the guideline of the mowing range. For even mowing, overlap the mowing area partially to the previous mowed area.

Periodically check the level of the grass basket, and empty before it becomes full. Before every periodical check, be sure to stop the mower and remove the lock key and the battery cartridge.

NOTE:

- Using the lawn mower with the grass basket full prevents smooth blade rotation and places an extra load on the motor, which may cause breakdown.

Mowing a long-grass lawn



Do not try to cut long grass all in one go. Instead, mow the lawn in stages, leaving it for a day or two between mows, until the lawn is evenly short.

NOTE:

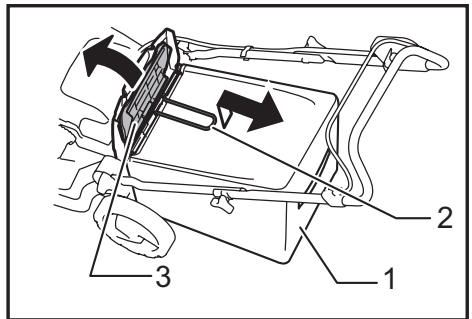
- Mowing long grass to a short length all in one go may cause the grass to die and/or block up the inside of the main unit.

Emptying the grass basket

⚠WARNING:

- To reduce a risk of accident, regularly check the grass basket for any damage or weakened strength and replace it if necessary.

1. Release the switch lever.
2. Remove the lock key.



► 1. Grass basket 2. Handle 3. Rear guard

3. Open the rear guard and take out the grass basket with its handle.
4. Empty the grass basket.

MAINTENANCE & STORAGE

⚠ WARNING:

- Always be sure that the lock key and battery cartridge are removed from the mower before storage or attempting to perform inspection or maintenance.
- Wear gloves when performing inspection or maintenance.

⚠ CAUTION:

- Never use gasoline, benzene, thinner, alcohol or the like. Discoloration, deformation or cracks may result.

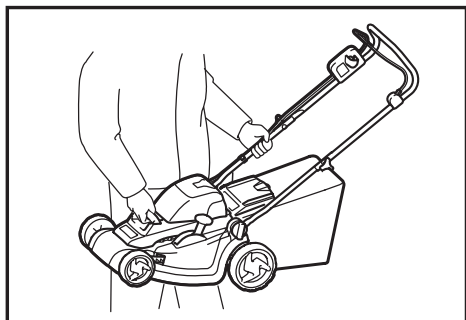
MAINTENANCE

1. REMOVE THE LOCK KEY. Store it in a safe place out of the reach of children.
2. Clean your mower using only mild soap and a damp cloth. Do not spray or pour water on your mower when cleaning.
3. Turn mower on its side and clean grass clippings that have accumulated on the underside of mower deck.
4. Check all nuts, bolts, knobs, screws, fasteners etc. for tightness.
5. Inspect moving parts for damage, breakage, and wear. Have repairs made on any damaged or missing parts.
6. Before storing the mower, remove the battery cartridge from it.
7. Store mower indoors in a cool, dry and locked place. Don't store the mower and charger in locations where the temperature may reach or exceed 40°C (104°F).

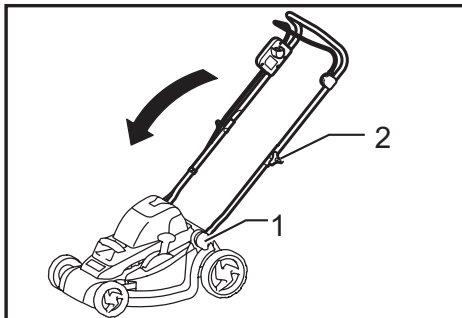
Storage

⚠ WARNING:

- When carrying or storing the mower, hold both the handle and front grip of the mower. Only holding the handles may cause a serious injury or damage to the mower.

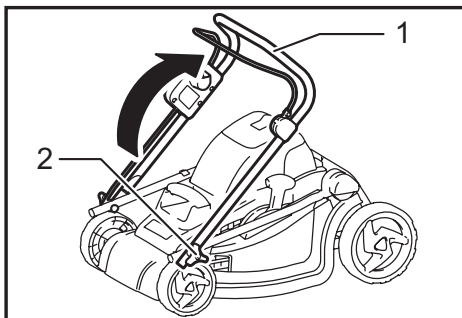


1. Loosen the clamping screw, expand the lower handle to both sides and then move down the handle forward. At this time, keep a firm grip on the front grip so that it does not fall down to the far side from the tool.



- 1. Clamping screw 2. Clamping nut

2. Loosen the clamping nut and pivot the upper handle back.



- 1. Handle 2. Clamping nut

To maintain product SAFETY and RELIABILITY, repairs, any other maintenance or adjustment should be performed by Makita Authorized or Factory Service Centers, always using Makita replacement parts.

TROUBLE SHOOTING

Before asking for repairs, first, conduct your own inspection. If you find a problem that is not explained in the manual, do not attempt to dismantle the tool. Instead, ask Makita Authorized or Factory Service Centers, always using Makita replacement parts.

Malfunction status	Cause	Action
Mower does not start.	Two battery cartridges are not installed.	Install the charged battery cartridges.
	Battery problem (under voltage)	Recharge the battery cartridge. If recharging is not effective, replace battery cartridge.
	The lock key is not inserted.	Insert the lock key.
Motor stops running after a little use.	Battery's charge level is low.	Recharge the battery cartridge. If recharging is not effective, replace battery cartridge.
	Cutting height set is too low.	Raise the height.
It does not reach maximum RPM.	Battery cartridge is installed improperly.	Install the battery cartridge as described in this manual.
	Battery power is dropping.	Recharge the battery cartridge. If recharging is not effective, replace battery cartridge.
	The drive system does not work correctly.	Ask your local authorized service center for repair.
Cutting tool does not rotate: stop the machine immediately!	Foreign object such as a branch is jammed near the blade.	Remove the foreign object.
	The drive system does not work correctly.	Ask your local authorized service center for repair.
Abnormal vibration: stop the machine immediately!	Blade is imbalanced, excessively or unevenly worn.	Replace the blade.

OPTIONAL ACCESSORIES

CAUTION:

- These accessories or attachments are recommended for use with your Makita tool specified in this manual. The use of any other accessories or attachments might present a risk of injury to persons. Only use accessory or attachment for its stated purpose.

If you need any assistance for more details regarding these accessories, ask your local Makita Service Center.

- Blade
- Makita genuine battery and charger

NOTE:

- Some items in the list may be included in the tool package as standard accessories. They may differ from country to country.

MAKITA LIMITED WARRANTY

Please refer to the annexed warranty sheet for the most current warranty terms applicable to this product. If annexed warranty sheet is not available, refer to the warranty details set forth at below website for your respective country.

United States of America: www.makitatools.com

Canada: www.makita.ca

Other countries: www.makita.com

SPÉCIFICATIONS

Modèle		DLM380	
Largeur de coupe		380 mm (15")	
Vitesse à vide (RPM)		3 700 /min	
Dimensions (L x P x H)	durant le fonctionnement	1 361 mm x 465 mm x 1 023 mm - 1 070 mm (53-1/2" x 18-1/4" x 40-1/4" - 42")	
	entreposée	680 mm x 470 mm x 505 mm (26-3/4" - 18-1/2" x 19-7/8")	
Tension nominale		C.C. 36 V	
Batterie(s) standard(s) ⚠️ Avertissement : Utilisez seulement la/les batterie(s) décrite(s).		BL1815N / BL1820B	BL1830 / BL1830B / BL1840B / BL1850B / BL1860B
Poids net		14,5 kg (32,0 lbs)	15,0 kg (33,1 lbs)

- Étant donné l'évolution constante de notre programme de recherche et de développement, les spécifications contenues dans ce manuel sont sujettes à modification sans préavis.
- Les caractéristiques techniques et la batterie peuvent varier suivant les pays.
- Poids, batterie comprise, conforme à la procédure EPTA de 01/2003

CONSIGNES DE SÉCURITÉ IMPORTANTES

⚠️ **AVERTISSEMENT!** Lorsque vous utilisez une tondeuse électrique, il convient de toujours prendre des précautions de sécurité de base afin de réduire le risque d'incendie, de décharge électrique et de blessure, notamment les précautions suivantes.

Lire toutes les instructions

Lisez, comprenez et respectez toutes les instructions indiquées sur la tondeuse et dans le manuel d'utilisation. Maîtrisez les boutons de commande et l'utilisation en elle-même de la tondeuse avant de commencer.

⚠️ AVERTISSEMENT !

1. **Évitez les environnements dangereux** - N'utilisez jamais la tondeuse dans des endroits humides ou mouillés. Faites toujours attention à votre prise au sol : tenez fermement le guidon et marchez ; ne courez jamais.
2. **N'utilisez pas l'outil sous la pluie.**
3. **Tenez les enfants à distance** - Tous les visiteurs doivent être maintenus à une distance raisonnable de la zone de travail. Soyez attentif et éteignez la tondeuse si un enfant s'approche de la zone de travail. Soyez particulièrement vigilant aux abords d'angles sans visibilité, de buissons, d'arbustes ou d'autres obstacles qui pourraient vous empêcher de voir un enfant.
4. **Habilitez-vous adéquatement** - Ne portez ni vêtements amples, ni bijoux. Ils pourraient être happés par les pièces mobiles. L'utilisation de gants de caoutchouc et de chaussures robustes est recommandée lors de travaux extérieurs. Ne faites pas fonctionner la tondeuse si vous êtes pieds nus ou si vous portez des sandales ouvertes.
5. **Portez des lunettes de sécurité** - Portez toujours un protecteur facial ou un masque antipoussières si l'utilisation provoque de la poussière.
6. **Utilisez l'appareil adéquat** - N'utilisez pas la tondeuse pour quelque travail que ce soit, à l'exception de celui auquel elle est destinée.

7. **Ne forcez pas la tondeuse** - Elle fonctionnera mieux et de façon plus sécuritaire à la vitesse pour laquelle elle a été conçue.
8. **Maintenez une bonne position** - Assurez-vous de toujours garder une position stable et équilibrée. Ne tondez pas à proximité de pentes, de fossés ou de talus. Vous pourriez trébucher ou perdre l'équilibre.
9. **Soyez vigilant** - Concentrez-vous sur votre travail. Faites preuve de bon sens. N'utilisez pas la tondeuse lorsque vous êtes fatigué. N'utilisez pas la machine si vous êtes sous l'influence de l'alcool ou de drogues. Un moment d'inattention au cours de l'utilisation de la tondeuse peut causer de graves blessures.
10. **Débranchez la tondeuse** - Débranchez la tondeuse de la prise électrique ou retirez la batterie lorsqu'elle n'est pas utilisée, avant tout entretien, nettoyage, retrait de matériaux de la tondeuse ou changement d'accessoires, tels que les lames, etc.
11. **Rangez la tondeuse inutilisée à l'intérieur** - Lorsque vous ne l'utilisez pas, la tondeuse devrait être rangée à l'intérieur, dans un endroit sec et sous clef – hors de la portée des enfants.
12. **Entretenez la tondeuse avec soin** - Pour des performances meilleures et plus sécuritaires, assurez-vous que les bords tranchants sont toujours aiguisés et propres. Suivez les instructions pour le graissage et le changement des accessoires. Inspectez le cordon de la tondeuse régulièrement et, s'il est endommagé, faites-le réparé par un réparateur agréé. Gardez les poignées sèches, propres et sans trace d'huile ou de graisse.
13. **Évitez l'accumulation d'herbe, de feuilles ou d'autres débris.** Les dispositifs de protection doivent être en place et fonctionnels.
14. **Aiguissez régulièrement les lames.**
15. **N'approchez pas les mains et les pieds de la zone de coupe.** Tenez-vous éloigné de l'ouverture de décharge en tout temps.

16. Des objets heurtés par la lame de la tondeuse peuvent causer de graves blessures aux personnes se trouvant à proximité. La pelouse doit toujours être examinée attentivement et débarrassée de tout objet avant la tonte. Restez derrière le guidon lorsque le moteur tourne.
17. Si la tondeuse frappe un objet étranger, suivez ces étapes :
 - Arrêtez la tondeuse. Relâchez l'interrupteur. Attendez l'arrêt complet de la lame.
 - Retirez la clé et la batterie.
 - Vérifiez que la tondeuse n'est pas endommagée.
 - Veillez à la réparation de tout dommage avant de redémarrer la tondeuse et de l'utiliser à nouveau. Remplacez la lame si elle est endommagée.
 - **N'effectuez la recharge qu'avec le chargeur spécifié par le fabricant.** Un chargeur conçu pour un certain type de batterie risque de déclencher un incendie s'il est utilisé avec une autre batterie.
 - **Ne rechargez pas la tondeuse sous la pluie ou à un endroit mouillé.**
 - **Lors du remplacement des batteries, il convient de remplacer toutes les batteries en même temps.** Si vous mélangez des batteries fraîches et des batteries déchargées, une augmentation de la pression interne de la cellule pourrait entraîner une rupture de la batterie déchargée.
 - **N'utilisez des outils électriques qu'avec leurs batteries spécifiques.** D'autres batteries risqueraient de vous blesser ou de provoquer un incendie.
 - **Lorsque vous n'utilisez pas la batterie, rangez-la à l'écart des objets métalliques tels que trombones, pièces de monnaie, clés, clous, vis ou autres petits objets métalliques qui risquent d'établir une connexion entre les bornes.** La mise en court-circuit des bornes de batterie peut causer des brûlures ou un incendie.
 - **Dans des conditions d'utilisation inadéquates de la batterie, il peut y avoir fuite d'électrolyte; évitez tout contact avec ce liquide. En cas de contact accidentel, rincez avec beaucoup d'eau. Si le liquide pénètre dans vos yeux, il faut aussi consulter un médecin.** L'électrolyte qui s'échappe de la batterie peut causer des irritations ou des brûlures.
18. Utilisez uniquement des lames de recharge identiques.
19. Ce dispositif de coupe peut amputer des mains et des pieds et éjecter des objets. Le non-respect des consignes de sécurité suivantes peut entraîner de graves blessures ou la mort.
20. N'autorisez que des adultes responsables, qui connaissent les instructions, à utiliser la tondeuse.
21. Assurez-vous que les tierces personnes sont éloignées de la zone avant de tondre. Arrêtez la tondeuse si quelqu'un pénètre dans la zone.
22. Assurez-vous que les matériaux projetés ne le soient jamais en direction de qui ce soit. Évitez de projeter les matériaux en direction d'un mur ou d'un obstacle. Ces matériaux pourraient ricocher en direction de l'utilisateur. Arrêtez la lame lorsque vous traversez une surface de graviers.
23. Ne tirez pas la tondeuse vers l'arrière à moins que cela soit absolument nécessaire. Si vous devez tirer la tondeuse pour éviter une clôture ou un autre obstacle similaire, regardez en bas et derrière avant et pendant la marche arrière.
24. Relâchez le levier de l'interrupteur et attendez que la lame cesse de tourner avant de traverser une allée, une route ou toute surface couverte de graviers. Retirez également la clé si vous vous éloignez de la machine, si vous vous baissez pour ramasser ou enlever quelque chose de votre passage, ou pour toute autre raison qui pourrait détourner votre attention.
25. N'utilisez pas la machine sans que le collecteur d'herbe, la protection d'évacuation, la protection arrière et les autres dispositifs de sécurité ne soient installés et en fonctionnement.
26. Arrêtez le moteur et retirez la clé chaque fois que vous vous éloignez du matériel, avant de nettoyer la tondeuse ou de déboucher le déflecteur et de faire des réparations ou inspections.
27. Éteignez le moteur et attendez que la lame s'immobilise complètement avant de retirer le collecteur d'herbe. Faites attention que la lame continue de tourner en roue libre après l'arrêt du moteur.
28. N'utilisez la tondeuse qu'à la lumière du jour ou avec une bonne lumière artificielle.
29. Désengagez le mécanisme automoteur ou l'embrayage de la tondeuse avant d'allumer le moteur.
30. Si le matériel commence à vibrer anormalement, arrêtez le moteur et recherchez immédiatement la cause. Une vibration est en général un signe de dysfonctionnement.
31. N'insérez pas la clé dans la tondeuse si celle-ci n'est pas prête à être utilisée.
32. Lorsque vous prenez l'appareil, assurez-vous de ne pas le prendre par la partie exposée de la lame ou le bord tranchant.
33. Avant l'utilisation, assurez-vous que les lames ne comportent aucune fissure et qu'elles ne sont pas endommagées. Remplacez immédiatement toute lame fissurée ou endommagée.
34. N'essayez jamais de régler la hauteur des roues alors que la tondeuse est en marche.
35. Vérifiez régulièrement l'usure ou la détérioration du collecteur d'herbe. Veillez toujours à ce que le collecteur d'herbe soit vide pour l'entreposage. Si le collecteur d'herbe est usé, remplacez-le par un collecteur neuf pour plus de sécurité.
36. Vérifiez régulièrement les composants du collecteur d'herbe et le déflecteur, et remplacez-les au besoin en utilisant les pièces recommandées par le fabricant.
37. Tondez les pentes dans le sens transversal, jamais en montant ou en descendant. Soyez particulièrement prudent lors des changements de direction sur les terrains en pente. Ne tondez pas sur des pentes excessivement raides.
38. Faites attention aux trous, ornières, bosses, cailloux ou autres obstacles cachés. Un terrain irrégulier présente des risques de glissades et de chutes. Des obstacles peuvent être cachés dans les herbes hautes.
39. N'utilisez pas la tondeuse sur de l'herbe mouillée ou des pentes très raides. Une position instable présente des risques de glissades et de chutes.

40. Ne lavez pas la machine avec un tuyau d'arrosage ; évitez que de l'eau ne pénètre dans le moteur ou dans les connexions électriques.
41. Vérifiez à intervalles réguliers si la vis de fixation de la lame est serrée.
42. Assurez-vous que tous les écrous, les boulons et les vis sont bien serrés pour garantir un fonctionnement sécuritaire.
43. Ne retirez pas et ne modifiez pas les dispositifs de sécurité. Vérifiez régulièrement leur bon fonctionnement. N'entravez jamais le fonctionnement prévu des dispositifs de sécurité et ne limitez jamais la protection qu'ils offrent.
44. Les étiquettes de sécurité et d'instructions doivent être entretenues ou remplacées si nécessaire.
45. **Utilisation et entretien des outils alimentés par batterie**

CONSERVEZ CE MODE D'EMPLOI.

⚠ MISE EN GARDE : L'utilisation de ce produit peut lever une poussière contenant des produits chimiques susceptibles d'entraîner des troubles respiratoires ou d'autres maladies.

Parmi ces produits chimiques, on trouve des composants de pesticides, insecticides, engrais et herbicides.

Les risques varient en fonction de la fréquence à laquelle vous utilisez l'outil. Pour réduire les risques liés à l'exposition à ces produits chimiques : travaillez dans une pièce bien ventilée et portez des dispositifs de sécurité homologués, tels que des masques antipoussières spécialement conçus pour filtrer les particules microscopiques.

Symboles

Les symboles utilisés pour l'outil sont indiqués ci-dessous.

V	volts
— — —	courant continu
n _o	vitesse à vide
... /min r /min	tours ou alternances par minute

Consignes de sécurité importantes pour la batterie

1. **Avant d'utiliser la batterie, lisez toutes les instructions et les mises en garde apposées sur (1) le chargeur de batterie, (2) la batterie et (3) le produit utilisant la batterie.**
 2. **Ne démontez pas la batterie.**
 3. **Cessez immédiatement l'utilisation si le temps de fonctionnement devient excessivement court. Il y a risque de surchauffe, de brûlures, voire d'explosion.**
 4. **Si l'électrolyte pénètre dans vos yeux, rincez-les à l'eau claire et consultez immédiatement un médecin. Il y a risque de perte de la vue.**
5. **Ne court-circuitez pas la batterie :**
 - (1) **Ne touchez les bornes avec aucun matériau conducteur.**
 - (2) **Évitez de ranger la batterie dans un conteneur avec d'autres objets métalliques tels que clous, pièces de monnaie, etc.**
 - (3) **Évitez d'exposer la batterie à l'eau ou à la pluie.**

Un court-circuit de la batterie pourrait provoquer un fort courant, une surchauffe, parfois des brûlures et même une panne.
 6. **Ne rangez pas l'outil ou la batterie dans des emplacements où la température peut atteindre ou dépasser 50 °C (122 °F).**
 7. **Ne jetez pas la batterie au feu même si elle est sérieusement endommagée ou complètement épuisée. La batterie peut exploser au contact du feu.**
 8. **Prenez garde d'échapper ou de heurter la batterie.**
 9. **N'utilisez pas une batterie si elle est endommagée.**
 10. **Les batteries lithium-ion fournies sont soumises aux exigences de la législation sur les marchandises dangereuses.**

Des exigences particulières sur l'emballage et l'étiquetage doivent être respectées lors du transport commercial par des tiers, des transitaires, etc. Pour préparer la marchandise à expédier, consultez un expert en matériaux dangereux si nécessaire. Respectez aussi les éventuelles réglementations nationales plus détaillées.

Recouvrez de ruban isolant les contacts exposés, et emballez la batterie de sorte qu'elle ne puisse pas se déplacer à l'intérieur de l'emballage.
 11. **Suivez la réglementation locale concernant l'élimination de la batterie.**
 12. **N'utilisez les batteries qu'avec les produits spécifiés par Makita.** Installer les batteries sur des produits non conformes peut entraîner un incendie, une chaleur excessive, une explosion ou une fuite d'électrolyte.

CONSERVEZ CES INSTRUCTIONS.

⚠ ATTENTION : Utilisez exclusivement les batteries fabriquées par Makita. Les batteries autres que celles fabriquées par Makita ou les batteries modifiées peuvent exploser et causer un incendie, une blessure ou des dommages. Cela annule aussi la garantie Makita de l'outil et du chargeur Makita.

Conseils pour maintenir la durée de service maximale de la batterie

1. **Rechargez la batterie avant qu'elle ne soit complètement déchargée. Arrêtez toujours l'outil et rechargez la batterie quand vous remarquez que la puissance de l'outil diminue.**
2. **Ne rechargez jamais une batterie complètement chargée. La surcharge réduit la durée de service de la batterie.**
3. **Chargez la batterie à une température ambiante comprise entre 10 °C et 40 °C (50 °F et 104 °F). Si la batterie est chaude, laissez-la refroidir avant de la charger.**
4. **Chargez la batterie si elle est restée inutilisée pendant une période prolongée (plus de six mois).**

DESCRIPTION DU FONCTIONNEMENT

Installation ou retrait de la batterie

⚠ ATTENTION :

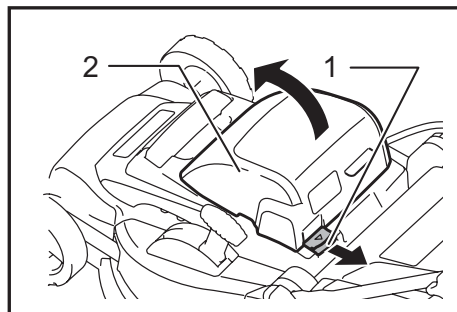
- Mettez toujours l'appareil hors tension avant d'installer ou de retirer la batterie.
- Assurez-vous de verrouiller le couvercle de batterie avant l'utilisation. S'il n'est pas verrouillé, la boue, la saleté ou l'eau pourraient endommager le produit ou la batterie.
- Installez toujours la batterie à fond jusqu'à ce que vous ne puissiez plus voir l'indicateur rouge. Dans le cas contraire, elle pourrait tomber de l'outil et entraîner des blessures.
- Ne forcez pas sur la batterie pour l'installer. Si la batterie ne glisse pas facilement, c'est qu'elle n'est pas insérée correctement.

NOTE :

- L'outil ne fonctionne pas lorsqu'une seule batterie est en place.

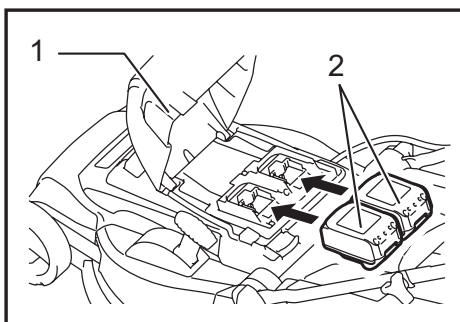
Pour installer la batterie ;

1. Tirez le levier de fermeture du couvercle de la batterie vers vous et ouvrez le couvercle de la batterie.



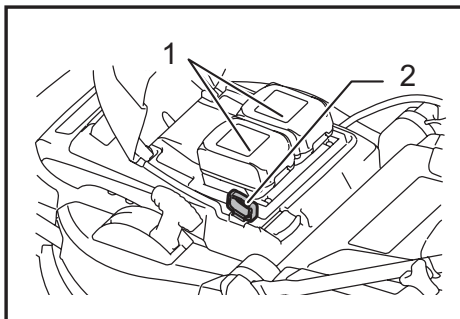
- 1. Levier de fermeture du couvercle de la batterie
2. Couvercle de batterie

2. Pour installer la batterie, alignez sa languette sur la rainure pratiquée dans le boîtier, et glissez la batterie en place. Insérez-la à fond jusqu'à ce que vous entendiez un clic. Si vous pouvez voir l'indicateur rouge situé sur le dessus du bouton, la batterie n'est pas complètement verrouillée.



- 1. Couvercle de batterie 2. Batterie

3. Insérez la clé d'utilisation à l'endroit montré sur le schéma jusqu'au bout.



- 1. Batterie 2. Clé d'utilisation

4. Fermez le couvercle de la batterie et poussez dessus jusqu'à ce qu'il se clipse au levier de fermeture.

Pour retirer la batterie de la tondeuse :

1. Tirez le levier de fermeture du couvercle de la batterie vers vous et ouvrez le couvercle de la batterie.
2. Faites-la glisser hors de l'outil tout en faisant glisser le bouton situé sur le devant de la batterie.
3. Retirez la clé d'utilisation.
4. Fermez le couvercle de la batterie.

Système de protection de la batterie

L'outil est équipé d'un système de protection de l'outil/ de la batterie. Ce système coupe automatiquement l'alimentation du moteur pour augmenter la durée de vie de l'outil et de la batterie.

L'outil s'arrête automatiquement pendant l'utilisation lorsque l'outil ou la batterie est dans l'une des situations suivantes. Dans certaines conditions, les indicateurs s'allument.

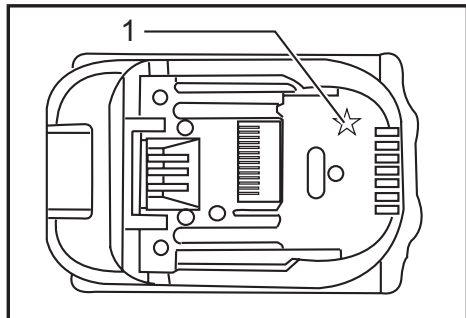
Dispositif de protection contre la surcharge

Lorsque l'outil est actionné de sorte qu'il utilise un courant élevé anormal, l'outil s'arrête automatiquement sans indication. Dans cette situation, éteignez l'outil et arrêtez l'application qui a causé la surcharge de l'outil. Puis rallumez l'outil pour recommencer.

Protection contre la surchauffe

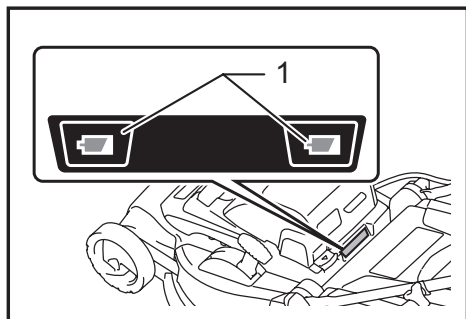
Lorsque l'outil ou la batterie surchauffe, l'outil s'arrête automatiquement, sans indication. L'outil ne démarre pas, même s'il est allumé. Dans cette situation, laissez l'outil ou la batterie refroidir avant de rallumer l'outil.

NOTE : La protection contre la surchauffe de la batterie fonctionne uniquement avec les batteries comportant un repère en forme d'étoile. Le système de protection contre la surchauffe de l'outil fonctionne avec toutes les batteries.



► 1. Étoile

Protection contre la décharge complète

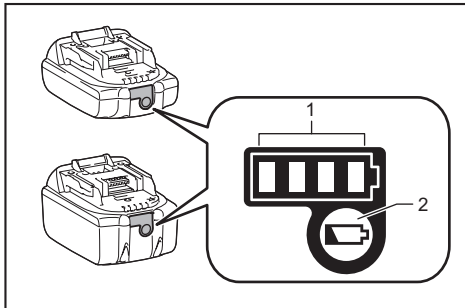


► 1. Indicateur de batterie

Lorsque la capacité restante de la batterie est faible, l'indicateur de la batterie clignote à côté de la batterie concernée. Si l'utilisation est poursuivie, l'outil s'arrête et l'indicateur de la batterie s'allume pendant environ 10 secondes. Dans cette situation, rechargez la batterie.

Affichage de la charge restante de la batterie

Uniquement pour les batteries avec voyant



► 1. Témoins indicateurs 2. Bouton de vérification

Appuyez sur le bouton de vérification de la batterie pour afficher la charge restante de la batterie. Les témoins indicateurs s'allument pendant quelques secondes.

Témoins indicateurs			Charge restante
Allumé	Éteint	Clignotant	
■ ■ ■ ■			75 % à 100 %
■ ■ ■ □			50 % à 75 %
■ ■ □ □			25 % à 50 %
■ □ □ □			0 % à 25 %
▬ □ □ □			Chargez la batterie.
■ ■ □ □			La batterie a peut-être mal fonctionné.
□ □ ■ ■			

NOTE : Suivant les conditions d'utilisation et la température ambiante, il se peut que l'indication soit légèrement différente de la charge réelle.

Activation du commutateur d'alimentation

⚠ MISE EN GARDE :

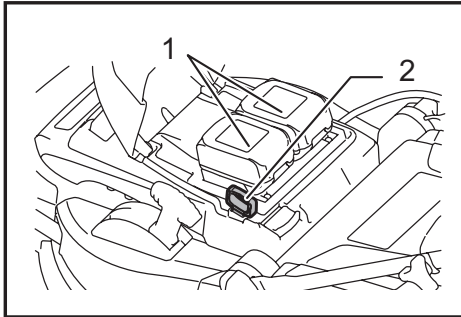
- Avant d'installer la batterie dans l'outil, vérifiez toujours que le levier de l'interrupteur fonctionne correctement et revient à sa position initiale lorsqu'il est relâché. Faire fonctionner un outil avec un interrupteur qui ne fonctionne pas correctement peut causer une perte de contrôle et de graves blessures.

NOTE :

- N'essayez pas de tondre trop d'herbe en même temps, car le moteur pourrait ne pas démarrer pour cause de bourrage. Dans ce cas, modifiez la hauteur de coupe à un niveau plus haut pour redémarrer.
- La tondeuse ne démarre pas si vous n'avez pas pressé l'interrupteur, même si le levier de l'interrupteur est tiré.

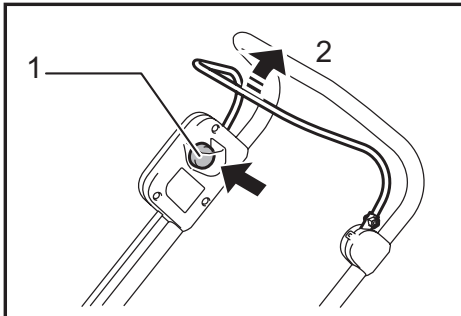
Cette tondeuse est équipée d'un interrupteur de verrouillage et d'un bouton pour le guidon. Si vous remarquez quelque chose d'inhabituel avec ces boutons, arrêtez immédiatement le fonctionnement et faites-les vérifier à votre Makita Service Center agréé le plus proche ou Factory Service Center.

1. Installez les batteries. Insérez la clé d'utilisation dans l'interrupteur de verrouillage, puis fermez le couvercle de la batterie.



► 1. Batterie 2. Clé d'utilisation

2. Appuyez sur l'interrupteur.
3. Tirez le levier de l'interrupteur vers vous tout en appuyant sur l'interrupteur.

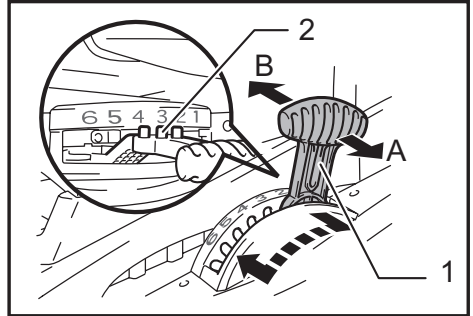


► 1. Bouton de commutateur 2. Levier de l'interrupteur

4. Relâchez l'interrupteur dès que le moteur se met en marche. La tondeuse continuera de fonctionner jusqu'à ce que vous relâchiez le levier de l'interrupteur.
5. Relâchez le levier de l'interrupteur pour arrêter le moteur.
6. Lorsque vous n'utilisez pas la machine, retirez la clé d'utilisation. Mettez la clé d'utilisation dans un endroit sûr, hors d'atteinte des enfants.

Régler la hauteur de coupe**⚠ MISE EN GARDE :**

- Ne mettez jamais votre main ou pied sous la tondeuse lorsque vous réglez la hauteur de coupe.
- Veillez toujours à ce que le levier soit bien dans la rainure avant d'effectuer le réglage.



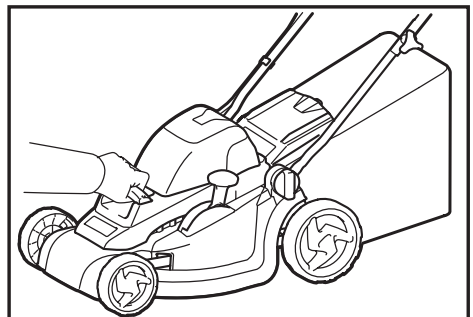
► 1. Levier de réglage de la hauteur de coupe 2. Tiges d'accouplement

La hauteur de coupe peut être réglée entre 25 mm et 75 mm (1,0" - 3,0").

1. Retirez la clé d'utilisation.
2. Tirez le levier de réglage de la hauteur de coupe vers le côté A. Déplacez-le pour régler la hauteur de coupe désirée. Assurez-vous que les goupilles du levier de réglage de la hauteur de coupe s'ajustent dans les trous et que le levier revient vers le côté B.

NOTE :

- Les chiffres de la hauteur de coupe ne sont là qu'à titre indicatif puisque l'état de la pelouse ou du sol peuvent légèrement modifier la hauteur de coupe fixée.
- Testez la tonte de la pelouse dans un endroit moins visible pour obtenir la hauteur souhaitée.
- Il est plus facile de déplacer le levier de réglage de la hauteur de coupe si vous tenez fermement l'outil.



ASSEMBLAGE

⚠ MISE EN GARDE :

- **Assurez-vous toujours que la clé d'utilisation et la batterie sont retirées avant d'effectuer une quelconque opération sur la tondeuse.** Si vous ne respectez pas cette précaution, vous risquez de graves blessures dues à un démarrage accidentel.
- **Ne démarrez jamais l'outil s'il n'est pas complètement assemblé.** Dans le cas contraire, vous risquez de vous blesser à cause d'un démarrage accidentel.

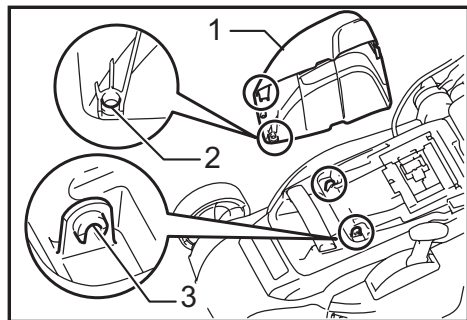
Installation du couvercle de la batterie

⚠ MISE EN GARDE :

- N'insérez pas la clé d'utilisation et le couvercle de la batterie avant d'installer le couvercle de la batterie. Autrement, il y a risque de blessure grave.

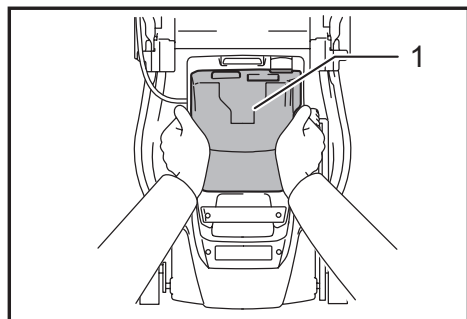
Installez le couvercle de la batterie complètement avant d'utiliser l'outil pour protéger l'outil et la batterie contre la boue, la saleté ou l'eau.

1. Placez le couvercle de la batterie sur l'outil en alignant les parties saillantes de l'outil et les trous du couvercle de la batterie.



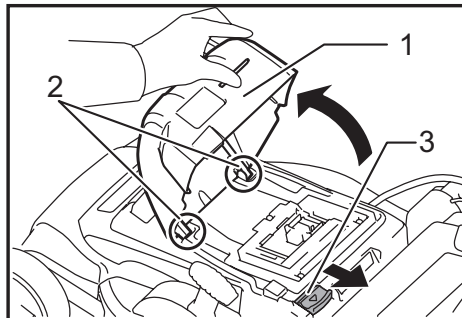
- 1. Couvercle de batterie 2. Orifice 3. Saillie

2. Placez vos mains au milieu du couvercle de la batterie et abaissez-le.



- 1. Couvercle de batterie

3. Avant la première utilisation, vérifiez que le point de pivotement du couvercle de la batterie est correctement assemblé. Pour cela, tirez le levier de fermeture du couvercle de la batterie vers vous et ouvrez le couvercle de la batterie.



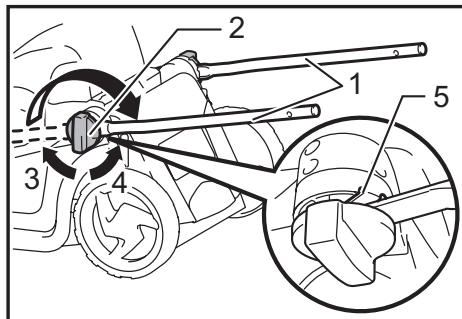
- 1. Couvercle de batterie 2. Point de pivotement
3. Levier de fermeture du couvercle de la batterie

Installation de la poignée

⚠ MISE EN GARDE :

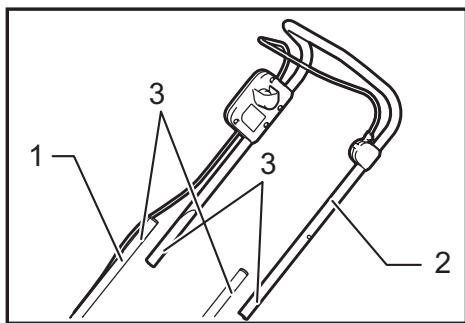
- Lorsque vous installez les guidons, positionnez les câbles de sorte qu'ils ne soient pas pris entre les guidons.

1. Desserrez les vis de serrage (deux pcs).



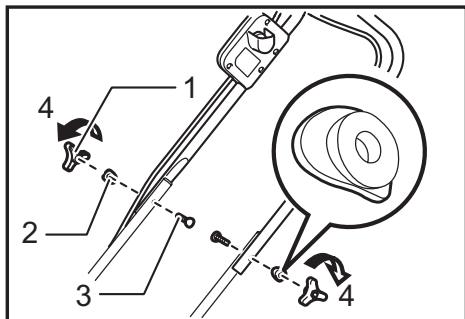
- 1. Guidon inférieur 2. Vis de serrage 3. Serrer
4. Desserer 5. Rainure

2. Dépliez le guidon inférieur des deux côtés et, ainsi étendu, orientez-le vers l'arrière et placez-le dans l'ouverture prévue sur le châssis.



► 1. Guidon inférieur 2. Guidon supérieur 3. Trous

3. Fixez le guidon inférieur à l'aide des vis de serrage des deux côtés.

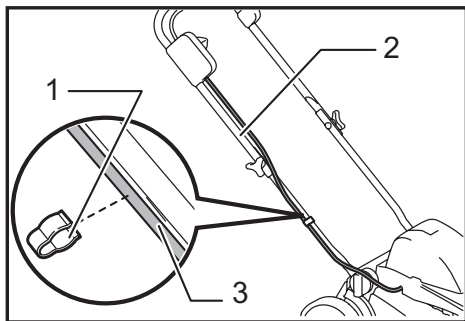


► 1. Écrou de serrage 2. Rondelle courbe 3. Vis 4. Serrer

4. Soulevez le guidon supérieur et alignez ses trous de vis sur ceux du guidon inférieur. Fixez-les avec les vis fournies, les rondelles courbes et les écrous de serrage.

NOTE :

- Ce faisant, tenez fermement le guidon supérieur pour éviter qu'il ne glisse de votre main.



► 1. Support 2. Guidon supérieur 3. Cordon

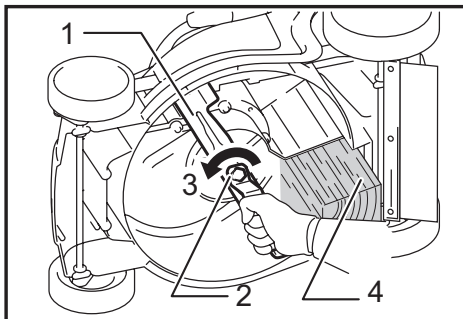
NOTE :

- Installez le guidon supérieur afin que la direction de ce guidon et le câble soient positionnés comme indiqué sur le schéma.

Pose et dépose de la lame

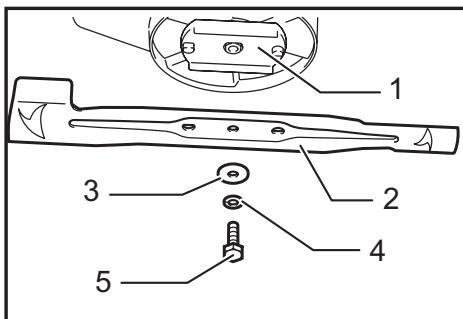
⚠ MISE EN GARDE :

- Enlevez toujours la clé d'utilisation et la batterie lorsque vous retirez ou installez la lame. Si vous ne respectez pas cette précaution, vous risquez de graves blessures.
- La lame continue de tourner pendant quelques secondes après avoir relâché l'interrupteur. Veillez à ce que la lame soit complètement immobilisée.
- Portez toujours des gants lorsque vous manipulez la lame.



► 1. Fer 2. Clé polygone 3. Desserrer 4. Bûche

1. Retournez la tondeuse sur le côté afin que le levier de réglage de la hauteur de la coupe soit placé sur le côté supérieur.
2. Pour bloquer la lame, insérez une bûche ou un objet similaire dans la tondeuse.
3. Desserrez le boulon dans le sens inverse des aiguilles d'une montre avec la clé polygone.



► 1. Support de lame 2. Fer 3. Rondelle plate 4. Rondelle élastique 5. Boulon

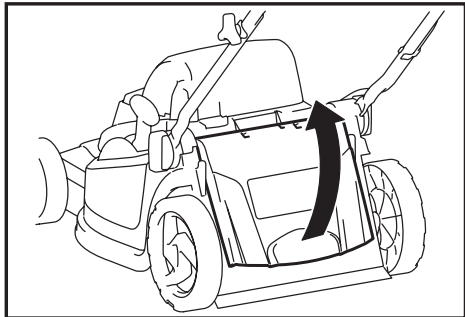
4. Retirez dans l'ordre le boulon, la rondelle à ressort, la rondelle plate et la lame. Pour installer la lame, suivez la procédure de retrait de la lame en sens inverse.

▲ MISE EN GARDE :

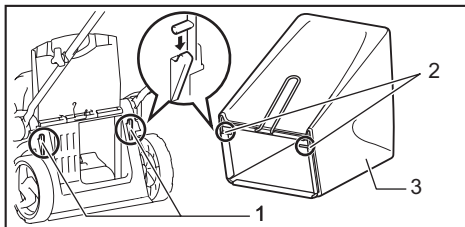
- Installez soigneusement la lame, celle-ci dispose d'une face supérieure et d'une face inférieure.
- Serrez fermement le boulon dans le sens des aiguilles d'une montre afin de fixer la lame.
- Placez la lame de sorte que le côté avec la flèche de sens de rotation se trouve à l'extérieur.
- Veillez à ce que la lame soit solidement fixée.

Installer le collecteur d'herbe

Retirez la clé d'utilisation.



Soulevez la protection arrière de la tondeuse.



► 1. Rainure 2. Crochet 3. Collecteur d'herbe

Accrochez le collecteur d'herbe sur la rainure de la tondeuse.

UTILISATION

Tondre

▲ MISE EN GARDE :

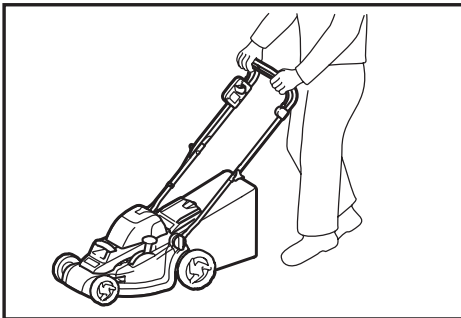
- Avant de tondre, enlevez de la zone de tonte toutes les branches et pierres. De plus, enlevez à l'avance les mauvaises herbes de la zone de tonte.
- Portez toujours des lunettes de sécurité avec des écrans latéraux lorsque vous utilisez la tondeuse.

Tenez fermement le guidon à deux mains lorsque vous tondez. La largeur entre le milieu des roues avant correspond à la largeur de la zone de tonte. Pour une tonte régulière, chaque zone de tonte doit partiellement chevaucher la précédente. Vérifiez de temps à autre le niveau du collecteur d'herbe et videz-le avant qu'il ne soit plein. Avant chaque vérification, assurez-vous d'arrêter la tondeuse et d'enlever la clé d'utilisation et la batterie.

NOTE :

- Si vous tondez avec le collecteur d'herbe rempli, cela empêchera la lame de tourner de manière fluide et l'excédent d'herbe s'infiltrera dans le moteur ce qui pourrait causer une panne.

Tondre une pelouse avec herbes hautes



N'essayez pas de couper toutes les herbes hautes d'un coup. Tondez la pelouse plutôt par étapes, en espaçant d'un jour ou deux chaque tonte, jusqu'à ce que la pelouse soit courte et régulière.

NOTE :

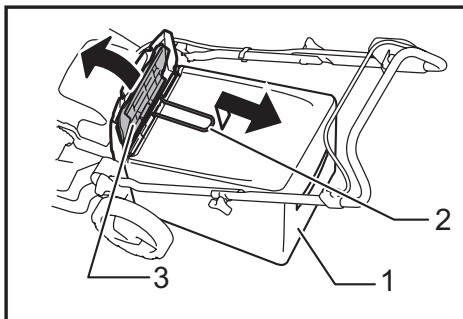
- Si vous tondez d'un coup les hautes herbes à une longueur courte, l'herbe risque de mourir et/ou de boucher l'intérieur de la principale unité.

Vider le collecteur d'herbe

▲ MISE EN GARDE :

- Pour éviter un risque d'accident, vérifiez régulièrement le collecteur d'herbe afin de prévenir tout dommage ou une puissance affaiblie et remplacez-le le cas échéant.

1. Relâchez le levier de l'interrupteur.
2. Retirez la clé d'utilisation.



- 1. Collecteur d'herbe 2. Manche 3. Dispositif de protection arrière
3. Ouvrez le dispositif de protection arrière et retirez le collecteur d'herbe grâce à sa poignée.
4. Videz le collecteur d'herbe.

MAINTENANCE & ENTREPOSAGE

⚠ MISE EN GARDE :

- Veillez toujours à ce que la clé d'utilisation et la batterie soient retirés de la tondeuse avant de l'entreposer ou d'effectuer toute inspection ou maintenance.
- Portez des gants lorsque vous effectuez une inspection ou une maintenance.

⚠ ATTENTION :

- N'utilisez jamais d'essence, de benzine, de solvant, d'alcool ou d'autres produits similaires. Une décoloration, une déformation, ou la formation de fissures peuvent en découler.

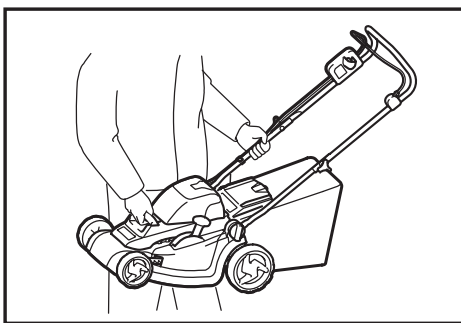
ENTRETIEN

1. RETIREZ LA CLÉ D'UTILISATION. Mettez la clé d'utilisation dans un endroit sûr, hors d'atteinte des enfants.
2. Ne nettoyez votre tondeuse qu'avec un savon doux et un chiffon humide. N'arrosez pas ou ne versez pas de l'eau sur votre tondeuse lorsque vous la nettoyez.
3. Retournez la tondeuse sur le côté et nettoyez les brins d'herbe accumulés en dessous du châssis de la tondeuse.
4. Vérifiez que tous les écrous, les boulons, les boutons, les vis, les fermetures, etc. soient bien serrés.
5. Vérifiez les parties mobiles pour tout dommage, casse et usure. Faites réparer toutes les parties endommagées ou manquantes.
6. Avant d'entreposer la tondeuse, retirez la batterie.
7. Entreposez la tondeuse à l'intérieur dans un endroit froid, sec et verrouillé. N'entreposez pas la tondeuse et le chargeur dans des endroits où la température peut atteindre ou dépasser 40°C (104°F).

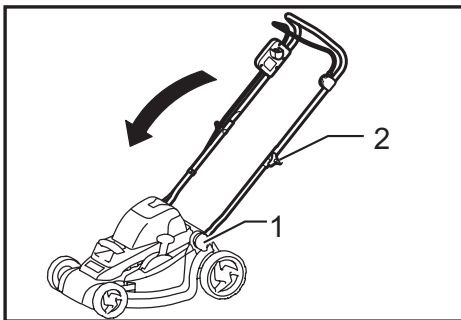
ENTREPOSAGE

⚠ MISE EN GARDE :

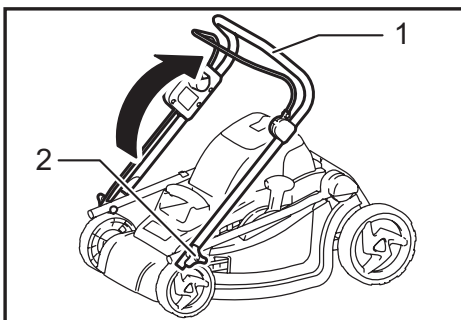
- Lors du transport ou du rangement de la tondeuse, maintenez le guidon ainsi que la poignée avant de la tondeuse. Si vous maintenez seulement les guidons, cela peut entraîner de graves blessures ou endommager la tondeuse.



1. Desserrez le vis de serrage, dépliez le guidon inférieur des deux côtés, puis abaissez le guidon vers l'avant. Ce faisant, tenez fermement la poignée avant pour éviter qu'il ne tombe à l'écart de l'outil.



- 1. Vis de serrage 2. Écrou de serrage
2. Desserrez l'écrou de serrage et repliez le guidon supérieur.



- 1. Manche 2. Écrou de serrage

Pour maintenir la SÉCURITÉ et la FIABILITÉ du produit, les réparations, tout autre travail d'entretien ou de réglage doivent être effectués dans un centre de service Makita agréé ou un centre de service de l'usine Makita, exclusivement avec des pièces de rechange Makita.

DÉPANNAGE

Avant de demander la réparation, commencez par mener votre propre inspection. Si vous rencontrez un problème non recensé dans ce manuel, ne démontez pas l'outil, cela est imprudent. Demandez plutôt de l'aide à une usine ou un centre de service après-vente Makita agréé, et utilisez toujours des pièces de remplacement Makita.

État du dysfonctionnement	Cause	Mesure
La tondeuse ne démarre pas.	Les deux batteries ne sont pas installées.	Installez les batteries chargées.
	Problème de batterie (sous tension)	Rechargez la batterie. Si cela ne fonctionne pas, remplacez la batterie.
	La clé d'utilisation n'est pas insérée.	Insérer la clé d'utilisation.
Le moteur démarre et s'arrête aussitôt.	Le niveau de charge de la batterie est faible.	Rechargez la batterie. Si cela ne fonctionne pas, remplacez la batterie.
	La hauteur de coupe est trop basse.	Augmenter la hauteur.
Il n'atteint pas la vitesse de rotation maximale.	La batterie n'est pas installée correctement.	Installez la batterie de la façon décrite dans le présent manuel.
	L'alimentation de la batterie chute.	Rechargez la batterie. Si cela ne fonctionne pas, remplacez la batterie.
	Le système d'entraînement ne fonctionne pas correctement.	Confiez les réparations au centre de service après-vente agréé de votre région.
L'outil de coupe ne tourne pas : arrêtez la machine immédiatement !	Un objet étranger, comme une branche, est coincé près de la lame.	Retirez le corps étranger.
	Le système d'entraînement ne fonctionne pas correctement.	Confiez les réparations au centre de service après-vente agréé de votre région.
Vibration anormale : arrêtez la machine immédiatement !	La lame est déséquilibrée, excessivement ou irrégulièrement usée.	Remplacer la lame.

ACCESSOIRES EN OPTION

ATTENTION :

- Ces accessoires ou pièces complémentaires sont recommandés pour l'utilisation avec l'outil Makita spécifié dans ce mode d'emploi. L'utilisation de tout autre accessoire ou pièce complémentaire peut comporter un risque de blessure. N'utilisez les accessoires ou pièces qu'aux fins auxquelles ils ont été conçus.

Si vous désirez obtenir plus de détails concernant ces accessoires, veuillez contacter le centre de service après-vente Makita le plus près.

- Lame
- Chargeur et batterie authentiques Makita

NOTE :

- Certains éléments de la liste peuvent être inclus avec l'outil comme accessoires standard. Ils peuvent varier suivant les pays.

GARANTIE LIMITÉE MAKITA

Pour les conditions de garantie en vigueur qui s'appliquent à ce produit, veuillez vous reporter à la feuille de garantie en annexe. Si la feuille de garantie en annexe n'est pas disponible, reportez-vous aux détails de la garantie présentés sur le site Web de votre pays, ci-dessous.

États-Unis d'Amérique: www.makitatools.com
Canada: www.makita.ca
Autres pays: www.makita.com

ESPECIFICACIONES

Modelo		DLM380	
Amplitud de corte del césped		380 mm (15")	
Velocidad sin carga (RPM)		3 700 r/min	
Dimensiones (La x An x Al)	durante la operación	1 361 mm x 465 mm x 1 023 mm - 1 070 mm (53-1/2" x 18-1/4" x 40-1/4" - 42")	
	durante el almacenamiento	680 mm x 470 mm x 505 mm (26-3/4" - 18-1/2" x 19-7/8")	
Tensión nominal		36 V c.c.	
Cartucho(s) de batería estándar ⚠ Advertencia: Use sólo los cartucho(s) de batería indicado(s).		BL1815N / BL1820B	BL1830 / BL1830B / BL1840B / BL1850B / BL1860B
Peso neto		14,5 kg (32,0 lbs)	15,0 kg (33,1 lbs)

- Debido a nuestro programa continuo de investigación y desarrollo, las especificaciones aquí dadas están sujetas a cambios sin previo aviso.
- Las especificaciones y el cartucho de la batería pueden variar de país a país.
- Peso de acuerdo al procedimiento de EPTA-01/2003 incluyendo el cartucho de la batería

INSTRUCCIONES IMPORTANTES DE SEGURIDAD

⚠ ADVERTENCIA! Cuando utilice cortadoras de césped eléctricas, deberá tomar siempre precauciones de seguridad básicas, incluyendo las siguientes, para reducir el riesgo de incendios, descargas eléctricas y heridas personales.

Lea todas las instrucciones

Lea, comprenda y siga todas las instrucciones en la cortadora de césped y en los manuales de instrucciones. Familiarícese detalladamente con los controles y el uso apropiado de la cortadora de césped antes de empezar.

⚠ ADVERTENCIA!

- Evitar los ambientes peligrosos** - Nunca use la cortadora de césped en lugares húmedos o mojados. Asegúrese siempre de pisar firmemente; mantenga una sujeción firme del mango y camine; nunca corra.
- No usar bajo la lluvia.**
- Mantener fuera del alcance de los niños** - Todas las personas alrededor deben permanecer a una distancia prudente del área de trabajo. Esté alerta y apague la cortadora de césped si algún niño se aproxima al área de trabajo. Tenga especial cuidado al aproximarse a esquinas sin visibilidad, arbustos, árboles u otros objetos que podrían obstruir su visión respecto a algún niño.
- Usar vestimenta adecuada** - No use prendas sueltas ni joyas. Éstas podrían engancharse en las partes móviles. Se recomienda el uso de guantes de hule y calzado robusto al hacer trabajos al aire libre. No use la cortadora de césped al estar descalzo, con sandalias o calzado abierto.
- Usar gafas protectoras** - Use siempre una careta o máscara protectora contra el polvo para operaciones que lo requieran.
- Usar los aparatos adecuados** - No use la cortadora de césped para cualquier labor que no sea para la cual fue diseñada.
- No forzar la cortadora de césped** - Desempeñará un trabajo mejor y más seguro a la velocidad para la cual fue diseñada.
- No se exceda en su alcance al utilizar la herramienta** - Mantenga los pies sobre suelo firme y el equilibrio en todo momento. No pise cerca de declives, zanjas o diques. Podría perder su equilibrio o su estabilidad al pisar.
- Mantenerse alerta** - Esté atento a lo que esté haciendo. Use el sentido común. No utilice la cortadora de césped cuando esté cansado. No opere el equipo bajo los efectos del alcohol, drogas o fármacos. Un momento de descuido mientras opera la cortadora de césped puede resultar en graves lesiones personales.
- Desconectar la cortadora de césped** - Desconecte la cortadora de césped del suministro eléctrico o quite la batería al no estarla usando, antes de hacer servicios de mantenimiento, al limpiarla, al despejar residuos que se haya atascado en la cortadora de césped o al cambiar accesorios como cuchillas o similares.
- Almacenar la cortadora de césped cuando no esté en uso** - La cortadora de césped deberá almacenarse en un lugar cerrado, seco y fuera del alcance de los niños cuando no se esté utilizando.
- Dar un mantenimiento dedicado a la cortadora de césped** - Mantenga afilados los bordes cortadores y límpielos para la operación más segura. Siga las instrucciones para la lubricación y cambio de los accesorios. Inspeccione la cortadora de césped periódicamente y si presente daños, llévela a reparación a un centro de servicio autorizado. Mantenga las agarraderas secas, limpias, y libres de aceite y grasa.
- Mantenga el equipo libre de la acumulación de césped, hojas y otros residuos. Mantenga los protectores colocados en su lugar y en buenas condiciones.
- Mantenga las cuchillas afiladas.

15. Mantenga los pies y las manos alejadas del área de corte. Manténgase fuera de la abertura de descarga en todo momento.
16. Los objetos que sean golpeados por la cuchilla de la cortadora de césped pueden causar graves lesiones a las personas. La cortadora de césped deberá ser cuidadosamente examinada y despejada de todos los objetos cada vez antes de cortar el césped. Manténgase detrás del mango siempre que el motor se encuentre activo.
17. Si la cortadora de césped golpea un objeto ajeno, siga los siguientes pasos:
 - Pare la cortadora de césped. Suelte el interruptor. Espere hasta que la cuchilla se detenga por completo.
 - Retire la llave y el cartucho de la batería.
 - Inspeccione la cortadora de césped para ver si hay algún daño.
 - Repare cualquier daño antes de reiniciar y usar la cortadora de césped. Reemplace la cuchilla si se ha dañado en cualquier forma.
 - **Recargue sólo con el cargador específico por el fabricante.** Un cargador que sea adecuado para un tipo de cartucho de batería específico puede generar un riesgo de incendio al usarse con otro cartucho de batería.
 - **No recargue la cortadora de césped bajo la lluvia, ni en entornos mojados.**
 - **Al cambiar baterías, todas las baterías deberán ser cambiadas al mismo tiempo.** La combinación de baterías frescas con baterías descargadas puede aumentar la presión interna de las celdas de la batería causando rotura en una batería recargada.
 - **Utilice las herramientas motorizadas solamente con los cartuchos de batería designados específicamente para ellas.** La utilización de cualquier otro cartucho de batería puede crear un riesgo de heridas o incendio.
 - **Cuando el cartucho de batería no esté siendo utilizado, guárdelo alejado de otros objetos metálicos como sujetapapeles, monedas, llaves, clavos, tornillos u otros objetos metálicos pequeños que puedan hacer conexión entre una terminal y la otra.** Si se cortocircuitan entre sí las terminales de la batería podrán producirse quemaduras o un incendio.
 - **En condiciones de mal uso, podrá escapar líquido de la batería; evite tocarlo. Si lo toca accidentalmente, enjuague con agua. Si hay contacto del líquido con los ojos, acuda por ayuda médica.** Puede que el líquido expulsado de la batería cause irritación o quemaduras.
18. Use solamente piezas de repuesto idénticas.
19. Este equipo cortador es capaz de amputar las manos y los pies, así como de lanzar objetos. No seguir las siguientes indicaciones de seguridad podría resultar en graves lesiones o causar la muerte.
20. Solamente permita que los adultos responsables que estén familiarizados con las instrucciones operen la cortadora de césped.
21. Asegúrese que el no haya personas alrededor en el área de trabajo antes de cortar el césped. Apague la cortadora de césped si alguna persona se introduce en el área de trabajo.
22. Nunca apunte la descarga del material de desecho en dirección donde alguien se encuentre. Evite la descarga del material de desecho contra la pared o alguna obstrucción. Puede que el material rebote contra el operador. Pare la cuchilla al pasar sobre superficies de cubiertas con grava.
23. No jale la cortadora de césped hacia atrás salvo que sea estrictamente necesario. Cuando se sienta impulsado a jalar la cortadora de césped hacia atrás para alejarle de un cerco u obstrucción similar, mire hacia abajo y detrás de usted antes de desplazarse hacia atrás.
24. Libere la palanca interruptora y espere a que la rotación de la cuchilla se detenga antes de cruzar los accesos para automóviles, corredores, calles y áreas con cubiertas con grava. También retire la llave en caso de dejarla puesta para levantar o quitar algo del camino, o por cualquier otro motivo que puede que le distraiga de lo que está haciendo.
25. No opere el equipo sin que el recolector de césped, protector de descarga, protector trasero o cualquier otro aditamento protector se encuentre colocado en su lugar y bajo funcionamiento en su totalidad.
26. Pare el motor y retire la llave siempre que deje el equipo, antes de limpiar o despejar materia que se haya atascado en la tolva, así como al hacer cualquier reparación o inspección.
27. Apague el motor y espere a que la cuchilla se haya detenido por completo antes de quitar el recolector de césped. Tenga en cuenta que la cuchilla sigue girando por inercia después de apagar la herramienta.
28. Corte el césped solamente a la luz del día o bajo buenas condiciones de iluminación eléctrica.
29. Antes de arrancar el motor, desactive el mecanismo de autopulsión o el embrague de operación en la cortadora de césped.
30. Si por alguna razón el equipo comienza a vibrar, pare el motor y revise de inmediato buscando la causa de ello. Generalmente la vibración es señal de que hay algún problema.
31. No inserte la llave de encendido en la cortadora de césped hasta que esté listo para comenzar la operación.
32. No sujete las cuchillas expuestas o los bordes de éstas al estar levantando o sosteniendo el equipo.
33. Revise cuidadosamente si hay daños o grietas en las cuchillas antes de la operación. Reemplace inmediatamente la cuchilla cuando presente rotura o daños.
34. Nunca intente hacer ajustes en la altura de la rueda mientras la cortadora de césped esté encendida.
35. Revise el canasto para césped con frecuencia para ver si presenta desgaste o deterioro. Al almacenar el equipo, asegúrese siempre de vaciar el canasto para césped. Por seguridad, reemplace un canasto para césped desgastado con uno nuevo de fábrica como repuesto.

36. Verifique con frecuencia los componentes del canasto para césped y el protector de descarga y reemplace con piezas de repuestos del fabricante en caso de ser necesario.
37. Corte el césped transversalmente a través de las pendientes (suelos con inclinación), nunca lo haga hacia arriba ni hacia abajo. Aplique extrema precaución al cambiar la dirección en las pendientes. Evite cortar el césped en pendientes con excesiva inclinación.
38. Esté alerta de hoyos, surcos, protuberancias, piedras u otros objetos ocultos. Las superficies no planas pueden ocasionar resbalones y caídas accidentales. El césped alto puede ocultar las obstrucciones.
39. No pise sobre césped mojado o con cuevas excesivamente pronunciadas. Un pisado no firme puede ocasionar resbalones y caídas accidentales.
40. No lave el equipo con una manguera; evite que ingrese el agua al motor y las conexiones eléctricas.
41. Revise el perno de instalación de la cuchilla a intervalos frecuentes para asegurar una fijación apropiada.
42. Fije todas las tuercas, pernos y tornillos con firmeza para asegurarse de que el equipo se encuentre en condiciones de operación seguras.
43. Nunca quite ni haga alteraciones en los protectores de seguridad. Verifique su funcionamiento adecuado de forma habitual. Nunca haga nada que interfiera con la función para la cual algún protector de seguridad fue diseñado, ni reduzca la protección ofrecida por algún protector de seguridad.
44. Mantenga o vuelva a colocar las etiquetas con instrucciones según se requiera.
45. **Uso y cuidado de la herramienta a batería**

GUARDE ESTAS INSTRUCCIONES.

⚠️ ADVERTENCIA: El uso de este producto puede generar polvo que contenga sustancias químicas que pueden causar enfermedades respiratorias, entre otros males.

Algunos ejemplos de estos químicos son los compuestos que se encuentran en los pesticidas, insecticidas, fertilizantes y herbicidas.

El riesgo al que se expone variara, dependiendo de la frecuencia con la que realice este tipo de trabajo. Para reducir la exposición a estos productos químicos: trabaje en un área bien ventilada, y póngase el equipo de seguridad indicado, tal como esas mascarillas contra el polvo que están especialmente diseñadas para filtrar partículas microscópicas.

Símbolos

A continuación se muestran los símbolos utilizados para la herramienta.

V	volts o voltios
— — —	corriente directa o continua
n.	velocidad en vacío o sin carga
... /min r /min	revoluciones o alternaciones por minuto, frecuencia de rotación

Instrucciones importantes de seguridad para el cartucho de batería

1. **Antes de utilizar el cartucho de batería, lea todas las instrucciones e indicaciones de precaución en el (1) el cargador de batería, (2) la batería, y (3) el producto con el que se utiliza la batería.**
2. **No desarme el cartucho de batería.**
3. **Si el tiempo de operación se ha acortado en exceso, deje de operar de inmediato. Podría correrse el riesgo de sobrecalentamiento, posibles quemaduras e incluso explosión.**
4. **En caso de que ingresen electrolitos en sus ojos, enjuáguelos bien con agua limpia y consulte de inmediato a un médico. Esto podría ocasionar pérdida de visión.**
5. **Evite cortocircuitar el cartucho de batería:**
 - (1) **No toque las terminales con ningún material conductor.**
 - (2) **Evite guardar el cartucho de batería en un cajón junto con otros objetos metálicos, tales como clavos, monedas, etc.**
 - (3) **No exponga el cartucho de batería al agua o la lluvia.**

Un cortocircuito en la batería puede causar un flujo grande de corriente, sobrecalentamiento, posibles quemaduras e incluso una descompostura.
6. **No guarde la herramienta ni el cartucho de batería en lugares donde la temperatura pueda alcanzar o exceder los 50°C (122°F).**
7. **Nunca incinere el cartucho de batería incluso en el caso de que esté dañado seriamente o ya no sirva en absoluto. El cartucho de batería puede explotar si se tira al fuego.**
8. **Tenga cuidado de no dejar caer ni golpear la batería.**
9. **No use una batería dañada.**
10. **Las baterías de ión de litio están sujetas a los requisitos reglamentarios en materia de bienes peligrosos.**
Para el transporte comercial, por ej., mediante terceros o agentes de transporte, se deben tomar en cuenta los requisitos especiales relativos al empaque y el etiquetado.

Para efectuar los preparativos del artículo que se va a enviar, se requiere consultar a un experto en materiales peligrosos. Si es posible, consulte además otras regulaciones nacionales más detalladas.

Pegue o cubra con cinta adhesiva los contactos abiertos y empaque la batería de manera que ésta no pueda moverse dentro del paquete.

11. **Siga las regulaciones locales relacionadas al desecho de las baterías.**
12. **Utilice las baterías únicamente con los productos especificados por Makita.** Instalar las baterías en productos que no cumplan con los requisitos podría ocasionar un incendio, un calentamiento excesivo, una explosión o una fuga de electrolito.

GUARDE ESTAS INSTRUCCIONES.

⚠PRECAUCIÓN: Utilice únicamente baterías originales de Makita. El uso de baterías no originales de Makita, o de baterías alteradas, puede ocasionar que las baterías exploten causando un incendio, lesiones personales y daños. Asimismo, esto invalidará la garantía de Makita para la herramienta y el cargador Makita.

Consejos para alargar al máximo la vida útil de la batería

1. **Cargue el cartucho de batería antes de que se descargue completamente. Pare siempre la operación y cargue el cartucho de batería cuando note menos potencia en la herramienta.**
2. **No cargue nunca un cartucho de batería que esté completamente cargado. La sobrecarga acortará la vida de servicio de la batería.**
3. **Cargue el cartucho de batería a una temperatura ambiente de 10 °C - 40 °C (50 °F - 104 °F). Si un cartucho de batería está caliente, déjelo enfriar antes de cargarlo.**
4. **Cargue el cartucho de batería si no va a utilizarlo durante un período prolongado (más de seis meses).**

DESCRIPCIÓN DEL FUNCIONAMIENTO

Instalación o desmontaje del cartucho de batería

⚠PRECAUCIÓN:

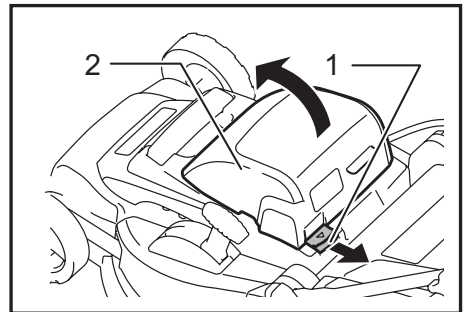
- Apague siempre el equipo antes de colocar o quitar el cartucho de batería.
- Asegúrese de haber colocado y fijado la cubierta de la batería antes de utilizar el equipo. De lo contrario, puede que el lodo, la tierra o el agua causen daños al producto o al cartucho de batería.
- Introduzca siempre completamente el cartucho de batería hasta que el indicador rojo no pueda verse. Si no, podría accidentalmente salirse de la herramienta y caer al suelo causando una lesión a usted o alguien a su alrededor.
- No instale el cartucho de batería a la fuerza: si el cartucho no se desliza al interior fácilmente, se debe a que no está siendo insertado correctamente.

NOTA:

- La herramienta no funciona con solo un cartucho de batería.

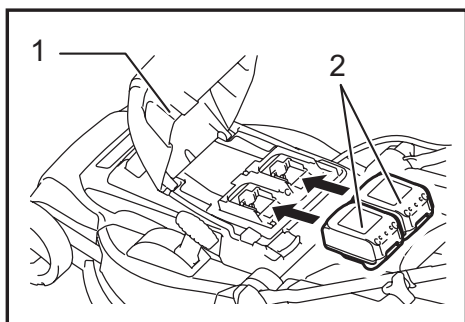
Para instalar el cartucho de batería:

1. Jale la palanca de bloqueo de la cubierta de la batería hacia usted y abra la cubierta de la batería.



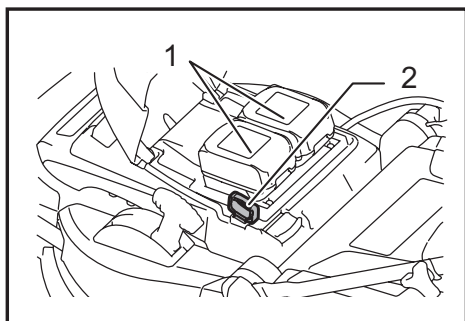
1. Palanca de bloqueo de la cubierta de la batería
2. Cubierta de la batería

2. Para colocar el cartucho de batería, alinee la lengüeta sobre el cartucho de batería con la ranura en la carcasa y deslice en su lugar. Inserte por completo hasta que se fije en su lugar con un pequeño clic. Si puede ver el indicador rojo del lado superior del botón, esto indica que no ha quedado fijo por completo.



► 1. Cubierta de la batería 2. Cartucho de batería

3. Inserte la llave de cierre en el lugar que se ilustra en la figura tanto como sea pueda introducir.



► 1. Cartucho de batería 2. Llave de cierre

4. Cierre la cubierta de la batería y empújela hasta que quede trabada con la llave de cierre.

Para quitar el cartucho de batería de la cortadora de césped:

1. Jale la palanca de bloqueo de la cubierta de la batería hacia usted y abra la cubierta de la batería.
2. Deslicela de la herramienta mientras desliza el botón en la parte delantera del cartucho.
3. Saque la llave de cierre.
4. Cierre la cubierta de la batería.

Sistema de protección de la batería

La herramienta está equipada con un sistema de protección de la herramienta / batería. Este sistema corta en forma automática el suministro de energía al motor para prolongar la vida útil de la herramienta y batería. La herramienta se detendrá automáticamente durante el funcionamiento si la herramienta o la batería se somete a una de las siguientes condiciones. En algunas condiciones, las luces indicadoras se encienden.

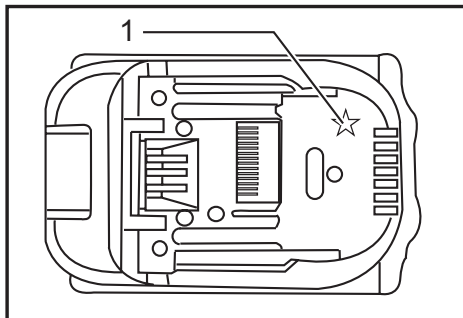
Protección contra sobrecarga

Cuando la herramienta es utilizada de tal manera que cause un consumo anormalmente alto de corriente, la herramienta automáticamente se para sin indicación alguna. En este caso, apague la herramienta y detenga la aplicación que causó que la herramienta se sobrecargara. Luego encienda la herramienta y reinicie.

Protección contra sobrecalentamiento

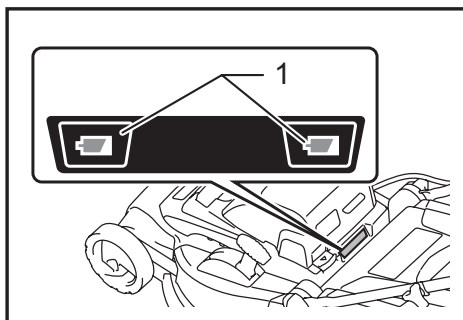
Cuando la herramienta o la batería se sobrecalienten, la herramienta se para automáticamente sin indicación alguna. La herramienta no se acciona incluso al encenderla. En este caso, espere que la herramienta o la batería se enfríen antes de volver a encender la herramienta.

NOTA: La protección contra el sobrecalentamiento de la batería funciona solamente con un cartucho de batería el cual presente una marca de estrella. El sistema de protección contra el sobrecalentamiento funciona con cualquier cartucho de batería.



► 1. Marca de estrella

Protección contra sobredescargas

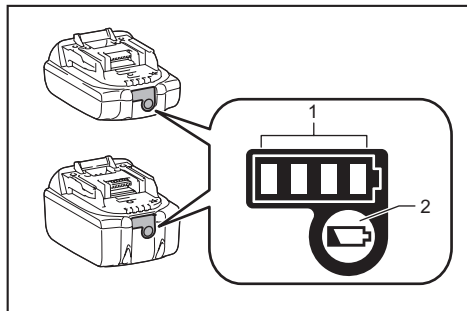


► 1. Indicador de batería

Cuando la capacidad restante de la batería sea baja, la luz indicadora de la batería parpadea en el lado que corresponda de la batería. Si se continúa usando, la herramienta parará y el indicador de la batería se encenderá por alrededor de 10 segundos. En este caso, recargue el cartucho de batería.

Indicación de la capacidad restante de la batería

Únicamente para cartuchos de batería con el indicador



► 1. Luces indicadoras 2. Botón de verificación

Oprima el botón de verificación en el cartucho de la batería para que indique la capacidad restante de la batería. Las luces indicadoras se iluminarán por algunos segundos.

Luces indicadoras			Capacidad restante
Iluminadas	Apagadas	Parpadeando	
■ ■ ■ ■	□ □ □ □	▬	75% a 100%
■ ■ ■ □	□ □ □ □	▬	50% a 75%
■ ■ □ □	□ □ □ □	▬	25% a 50%
■ □ □ □	□ □ □ □	▬	0% a 25%
▬ □ □ □	□ □ □ □	▬	Cargar la batería.
■ ■ □ □	□ □ □ □	▬	La batería pudo haber funcionado mal.
□ □ ■ ■	□ □ □ □	▬	

NOTA: Dependiendo de las condiciones de uso y la temperatura ambiente, la indicación podrá diferir ligeramente de la capacidad real.

Accionamiento del interruptor

⚠ ADVERTENCIA:

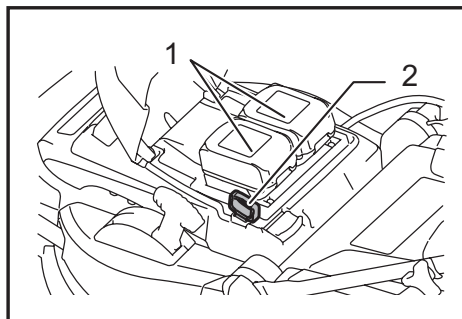
- Antes de insertar el cartucho de batería en la herramienta, compruebe siempre que la palanca interruptora se acciona debidamente y que vuelve a la posición original cuando la suelta. Usar una herramienta con un interruptor que no funciona adecuadamente puede resultar en pérdida del control ocasionando graves lesiones a la persona.

NOTA:

- Puede que tratar de cortar demasiado césped no permita que el motor arranque debido a la sobrecarga. En este momento, cambie la altura de corte a un nivel más alto para arrancar de nuevo el equipo.
- La cortadora de césped no arranca sin presionar el botón interruptor incluso al estar jalando la palanca interruptora.

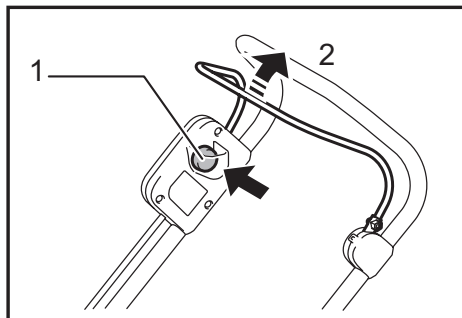
Esta cortadora de césped cuenta con un interbloqueo interruptor y mango interruptor. Si observa cualquier anomalía con cualquiera de estos interruptores, detenga la operación de inmediato y lleve el equipo a reparación al centro o fábrica de Servicio Autorizado de Makita más cercano.

1. Instale los cartuchos de batería. Inserte la llave de cierre en el interruptor de interbloqueo y luego cierre la cubierta de la batería.



► 1. Cartucho de batería 2. Llave de cierre

2. Presione el botón interruptor.
3. Jale la palanca interruptora hacia usted mientras mantiene presionado el botón interruptor.



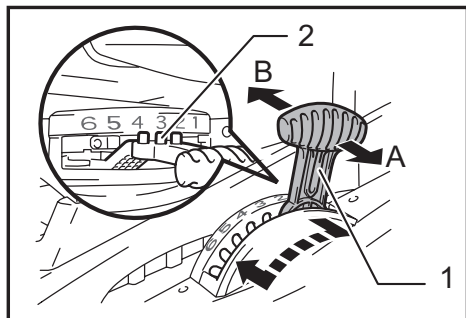
► 1. Botón interruptor 2. Palanca interruptora

4. Suelte el botón interruptor tan pronto el motor arranque. La cortadora de césped continuará activa hasta que usted suelte la palanca interruptora.
5. Suelte la palanca interruptora para parar el motor.
6. Al no estar usando el equipo, quite la llave de cierre. Almacene la llave de cierre en un lugar seguro fuera del alcance de los niños.

Ajuste de la altura de corte del césped

⚠ ADVERTENCIA:

- Nunca coloque su mano o pierna debajo del equipo al estar ajustando la altura de corte del césped.
- Asegúrese siempre de que la palanca encaje correctamente en la ranura antes de la operación.



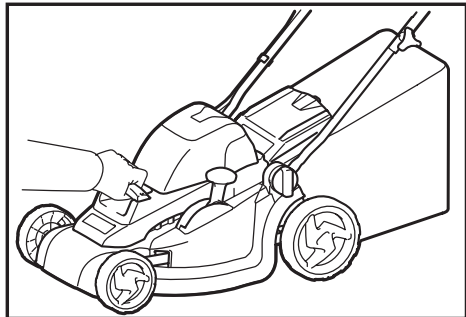
- 1. Palanca de ajuste de la altura de corte del césped
2. Clavijas

La altura de corte del césped puede ajustarse en un rango entre 25 mm y 75 mm (1,0" - 3,0").

1. Quite la llave de cierre.
2. Jale la palanca ajustadora de la altura de corte del césped hacia el lado A. Muévala hacia el nivel de altura deseado de corte. Asegúrese que las clavijas en la palanca ajustadora de la altura de corte del césped embonen en los orificios y que la palanca regrese al lado B.

NOTA:

- Las imágenes de altura de corte del césped deberán utilizarse sólo como una guía, pues las condiciones del césped o del suelo puede que causen que la altura varíe ligeramente de la establecida por la imagen de la altura ajustada.
- Recorra a un lugar que no sea tan visible dentro de su área de trabajo, y haga una prueba de corte de césped hasta conseguir la altura de corte de césped que desea.
- Es más fácil mover la palanca ajustadora de la altura de corte del césped mientras sujeta la herramienta con firmeza.



ENSAMBLE

⚠ ADVERTENCIA:

- Asegúrese siempre de que la llave de cierre y el cartucho de batería se hayan extraído antes de realizar cualquier reparación o servicio en la cortadora de césped. No seguir esta indicación de extraer la llave de cierre y el cartucho de la batería puede que resulte en graves lesiones a la persona debido al encendido accidental.
- Nunca encienda la herramienta salvo que se encuentre completamente ensamblada. La operación en un estado de ensamble parcial puede resultar en graves lesiones a la persona por el encendido accidental.

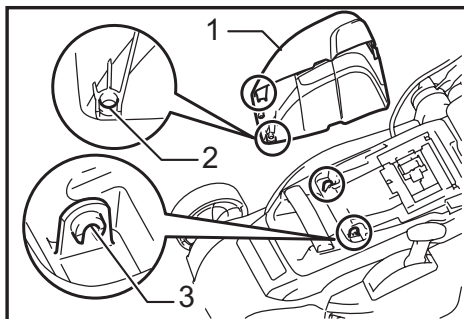
Instalación de la cubierta de la batería

⚠ ADVERTENCIA:

- No inserte la llave de cierre y el cartucho de batería antes de instalar la cubierta de la batería. No seguir esta indicación podría causar graves lesiones.

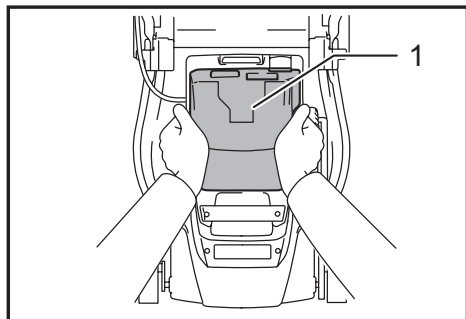
Instale la cubierta de la batería completamente antes de usar la herramienta para proteger la herramienta y el cartucho de batería contra el lodo, la tierra y el agua.

1. Coloque la cubierta de la batería en la herramienta alineando las protuberancias en la herramienta con los orificios de la cubierta de la batería.



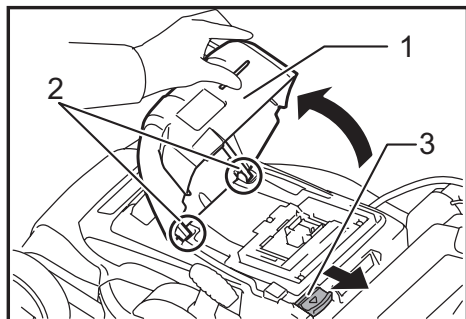
- 1. Cubierta de la batería 2. Orificio 3. Protuberancia

2. Coloque sus manos en medio de la cubierta de la batería y presiónela.



► 1. Cubierta de la batería

3. Antes de comenzar a usar la herramienta, compruebe que el punto pivote de la cubierta de la batería esté apropiadamente ensamblado. Para confirmar, jale la palanca de bloqueo de la cubierta de la batería hacia usted y abra la cubierta de la batería.



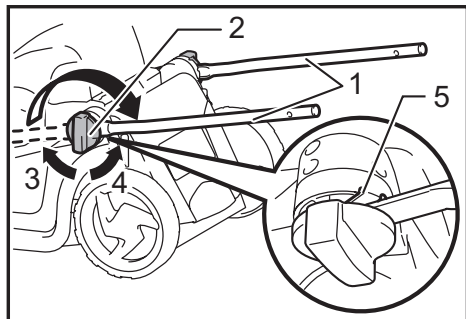
► 1. Cubierta de la batería 2. Punto pivote 3. Palanca de bloqueo de la cubierta de la batería

Instalación del mango

⚠ ADVERTENCIA:

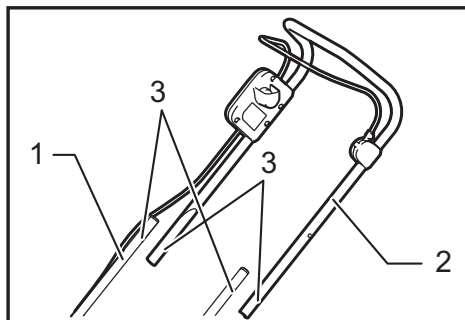
- Al instalar los mangos, posicione los cables de tal forma que no queden apresados por algo entre los mangos.

1. Afloje los tornillos de fijación (dos piezas).



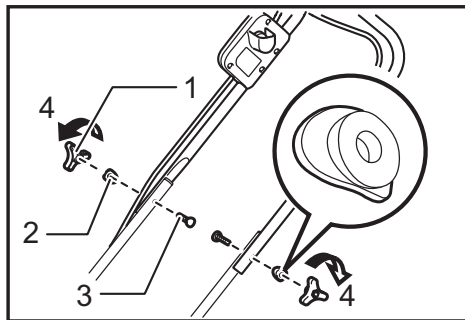
► 1. Mango inferior 2. Tornillo de fijación 3. Apretar 4. Aflojar 5. Ranura

2. Extienda el mango inferior por ambos lados y manteniéndolo extendido en esa posición pivétele hacia atrás y luego encájelo en la ranura de la carcasa.



► 1. Mango inferior 2. Mango superior 3. Orificio

3. Apriete los tornillos de fijación en ambos lados para fijar el mango inferior.

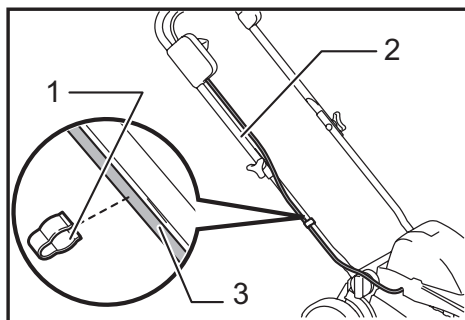


► 1. Tuerca de fijación 2. Arandela rizada 3. Tornillo 4. Apretar

4. Eleve el mango superior y alinee los orificios para los tornillos en el mango superior con aquellos en el mango inferior. Fijelos con los tornillos incluidos, las arandelas rizadas y las tuercas de fijación.

NOTA:

- En este momento, sujete firmemente el mango superior de tal forma que no se zafe de su mano.



► 1. Soporte 2. Mango superior 3. Cable

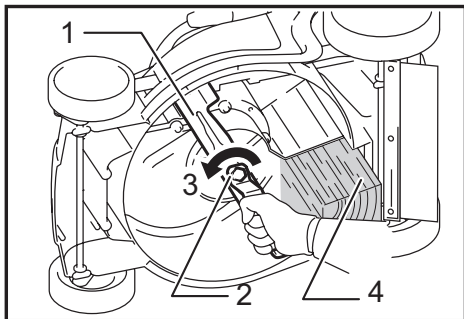
NOTA:

- Instale el mango superior de tal forma que la posición de éste y el cable eléctrico queden orientados como se ilustra en la figura.

Extracción e instalación del disco cortador

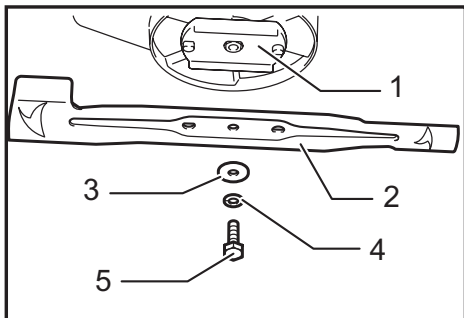
ADVERTENCIA:

- Asegúrese siempre de haber extraído siempre la llave de cierre y el cartucho de batería al quitar o colocar la cuchilla. No seguir esta indicación de extraer la llave de cierre y cartucho de batería puede que ocasione graves lesiones.
- La cuchilla continuará moviéndose por inercia durante algunos segundos tras haber soltado el interruptor. Asegúrese de que la cuchilla se haya detenido por completo.
- Use siempre guantes al manipular la cuchilla.



- 1. Hoja de sierra 2. Llave de caja 3. Aflojar
4. Madera

1. Coloque la cortadora de césped sobre su costado de tal forma que la palanca ajustadora de la altura de corte del césped quede orientada hacia el lado de arriba.
2. Para fijar la cuchilla, inserte una madera o material similar en la cortadora de césped.
3. Afloje el perno con una llave de caja en sentido contrario a las agujas del reloj.



- 1. Soporte de la cuchilla 2. Hoja de sierra
3. Arandela plana 4. Arandela de resorte 5. Perno

4. Retire el perno, la arandela de resorte, la arandela plana y la cuchilla en ese orden.

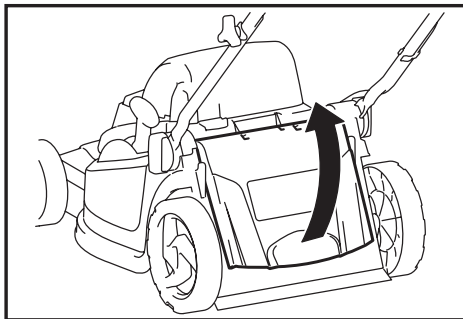
Para instalar la cuchilla, siga el procedimiento de desmontar a la inversa.

ADVERTENCIA:

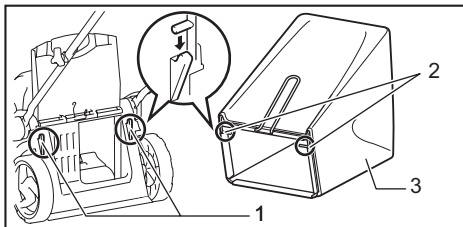
- Coloque la cuchilla como corresponda en función de su cara superior e inferior.
- Apriete el perno firmemente en sentido de las agujas del reloj para fijar la cuchilla.
- Coloque la cuchilla de tal forma que el lado de la cuchilla que tiene una flecha de dirección de giro quede orientado hacia afuera.
- Asegúrese que la cuchilla haya quedado fija firmemente.

Instalación del canasto para césped

Quite la llave de cierre.



Eleve el protector trasero de la unidad cortadora.



- 1. Ranura 2. Gancho 3. Canasto para césped

Enganche el canasto para césped sobre la ranura de la unidad cortadora de césped.

OPERACIÓN

Corte del césped

⚠ADVERTENCIA:

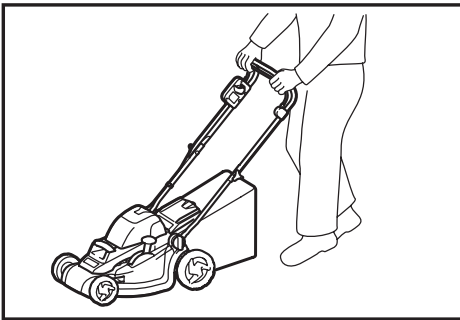
- Antes de cortar el césped, despeje las ramas y piedras del área de trabajo. Particularmente, despeje con antelación cualquier maleza que haya en el área de trabajo.
- Use siempre gafas protectoras o gafas de seguridad con protección lateral al usar la cortadora de césped.

Sujete con firmeza el mango de la cortadora de césped con ambas manos mientras corta el césped. La amplitud entre la sección media de las ruedas frontales muestra la línea guía del rango del podado. Para un podado uniforme, trasape el área de podado parcialmente con la región previamente podada. Compruebe periódicamente el nivel del canasto para césped y vacíelo antes de que se llene. Antes de cada revisión periódica, asegúrese de apagar la cortadora de césped, así como de haber extraído la llave de cierre y el cartucho de batería.

NOTA:

- El uso de la cortadora de césped con el canasto para césped lleno impide una rotación uniforme de la cuchilla e impone una sobrecarga del motor, lo cual puede averiar el equipo.

Corte de césped muy alargado



No trate de cortar el césped muy alargado de una sola corrida; en su lugar, corte el césped en etapas, dejando pasar un día o dos entre corridas, hasta que logre que el césped haya quedado uniformemente corto.

NOTA:

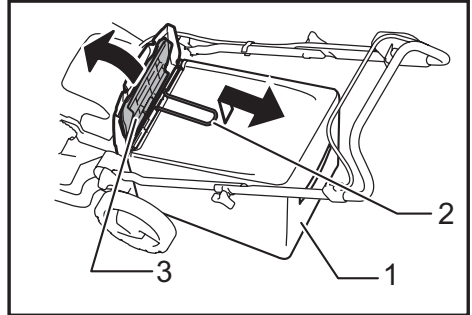
- Cortar césped alargado para obtener una longitud corta en una sola corrida puede marchitar el césped y/o que el interior de la unidad principal se obstruya.

Vaciado del canasto para césped

⚠ADVERTENCIA:

- Para reducir el riesgo de accidentes, revise de forma habitual el canasto para césped para ver si hay cualquier daño o deterioro en la resistencia del material, y reemplace en caso de ser necesario.

1. Suelte la palanca interruptora.
2. Quite la llave de cierre.



- 1. Canasto para césped 2. Mango 3. Protector trasero

3. Abra el protector trasero y tome el mango del canasto para césped para sacarlo.
4. Vacíe el canasto para césped.

MANTENIMIENTO Y ALMACENAMIENTO

⚠ADVERTENCIA:

- Asegúrese siempre de haber extraído la llave de cierre y el cartucho de batería de la cortadora de césped antes de almacenar o de realizar alguna inspección o mantenimiento del equipo.
- Use guantes protectores al realizar algún servicio de inspección o mantenimiento.

⚠PRECAUCIÓN:

- Nunca use gasolina, bencina, diluyente (tíner), alcohol o sustancias similares. Puede que esto ocasione grietas o descoloramiento.

MANTENIMIENTO

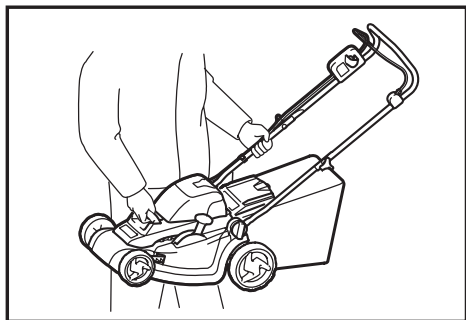
1. QUITE LA LLAVE DE CIERRE. Almacénela en un lugar seguro fuera del alcance de los niños.
2. Limpie su cortadora de césped usando solamente una sustancia de jabón suave con un paño humedecido. No rocíe ni vierta agua en su cortadora de césped al limpiarla.
3. Coloque la cortadora de césped sobre su costado y elimine los residuos de césped que se hayan acumulado en el lado interior de la carcasa.

4. Revise todos los pernos, tuercas, tornillos, perillas, broches, etc. para confirmar que estén firmemente apretados.
5. Inspeccione las piezas móviles para ver si hay daños, roturas o desgastes. Lleve el equipo a un servicio de reparación en caso de que observe piezas dañadas o faltantes.
6. Antes de almacenar la cortadora de césped, extraiga el cartucho de batería de ésta.
7. Almacene la cortadora de césped bajo techo en un lugar fresco, seco y bajo llave. No almacene la cortadora de césped y el cargador en lugares donde la temperatura puede que alcance o exceda los 40°C (104°F).

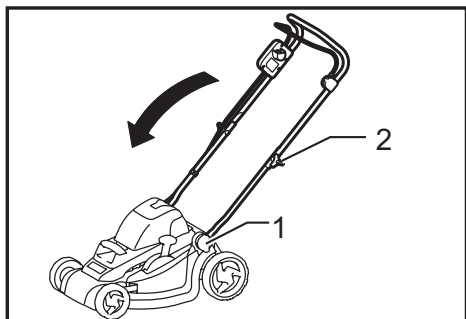
ALMACENAMIENTO

⚠ ADVERTENCIA:

- Al cargar o almacenar la cortadora de césped, sujete tanto del mango como de la empuñadura delantera de la cortadora de césped. Tomarla solamente de los mangos plegados puede que ocasione graves lesiones o daños a la cortadora de césped.

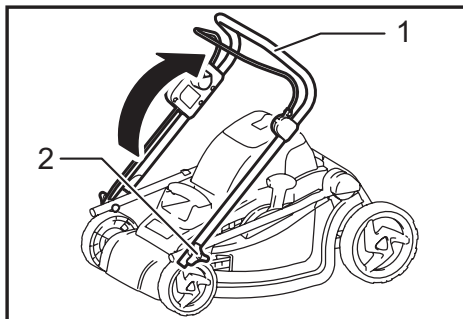


1. Afloje el tornillo de fijación, extienda el mango inferior a ambos lados y luego mueva abajo el mango hacia adelante. En este momento, sujete firmemente la empuñadura delantera de tal forma que no caiga al extremo lateral de la herramienta.



- 1. Tornillo de fijación 2. Tuerca de fijación

2. Afloje la tuerca de fijación y pivote el mango superior hacia atrás.



- 1. Mango 2. Tuerca de fijación

Para mantener la **SEGURIDAD** y **FIABILIDAD** del producto, las reparaciones, y cualquier otra tarea de mantenimiento o ajuste deberán ser realizadas en Centros de Servicio Autorizados por Makita, empleando siempre repuestos Makita.

RESOLUCIÓN DE PROBLEMAS

Antes de solicitar algún servicio de reparación, primero realice su propia inspección. No desmantele la herramienta de manera compulsiva si detecta algún problema que no se explica en este manual. En su lugar, consulte con un centro de servicio o de manufactura autorizado de Makita, usando siempre piezas de repuesto Makita.

Condición del funcionamiento defectuoso	Causa	Acción
La cortadora de césped no arranca.	No se ha instalado dos cartuchos de batería.	Instale cartuchos de batería recargados.
	Problema con la batería (bajo voltaje)	Recargue el cartucho de batería. Si el recargado no es efectivo, cambie el cartucho de batería.
	La llave de cierre no está insertada.	Inserte la llave de cierre.
El motor deja de correr al poco tiempo de estar activo.	El nivel de recarga de la batería es bajo.	Recargue el cartucho de batería. Si el recargado no es efectivo, cambie el cartucho de batería.
	La altura de corte se ha ajustado a nivel muy bajo.	Incremente la altura.
No se alcanza el nivel máximo de RPM.	El cartucho de batería está mal colocado.	Instale el cartucho de batería como se describe en el manual.
	La energía de la batería está reduciéndose.	Recargue el cartucho de batería. Si el recargado no es efectivo, cambie el cartucho de batería.
	El sistema de accionamiento no funciona correctamente.	Solicite servicio de reparación en los centros de servicio autorizado.
La pieza cortadora no gira: ¡interrumpa la operación de inmediato!	Se ha atascado en la cuchilla algún objeto ajeno, como alguna rama.	Despeje el objeto que cause la obstrucción.
	El sistema de accionamiento no funciona correctamente.	Solicite servicio de reparación en los centros de servicio autorizado.
Vibración anormal: ¡interrumpa la operación de inmediato!	La cuchilla está desbalanceada o desgastada ya sea de forma excesiva o no uniforme.	Reemplace la cuchilla.

ACCESORIOS OPCIONALES

⚠️ PRECAUCIÓN:

- Estos accesorios o aditamentos (incluidos o no) están recomendados para utilizar con su herramienta Makita especificada en este manual. El empleo de cualesquiera otros accesorios o acoplamientos conllevará un riesgo de sufrir heridas personales. Utilice los accesorios o acoplamientos solamente para su fin establecido.

Si necesita cualquier ayuda para más detalles en relación con estos accesorios, pregunte a su centro de servicio Makita local.

- Cuchilla
- Batería y cargador originales de Makita

NOTA:

- Algunos de los artículos en la lista puede que vengan junto con el paquete de la herramienta como accesorios incluidos. Puede que estos accesorios varíen de país a país.

GARANTÍA LIMITADA DE MAKITA

Ésta Garantía no aplica para México

Consulte la hoja de la garantía anexa para ver los términos más vigentes de la garantía aplicable a este producto. En caso de no disponer de esta hoja de garantía anexa, consulte los detalles sobre la garantía descritos en el sitio web de su país respectivo indicado a continuación.

Estados Unidos de América: www.makitatools.com
 Canadá: www.makita.ca
 Otros países: www.makita.com

Makita Corporation

3-11-8, Sumiyoshi-cho,
Anjo, Aichi 446-8502 Japan

www.makita.com

885328-904 DLM380-1 EN, FRCA, ESMX 20171101
--